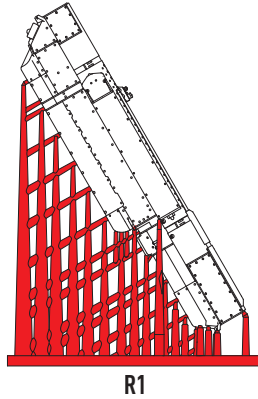
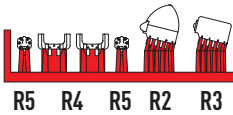
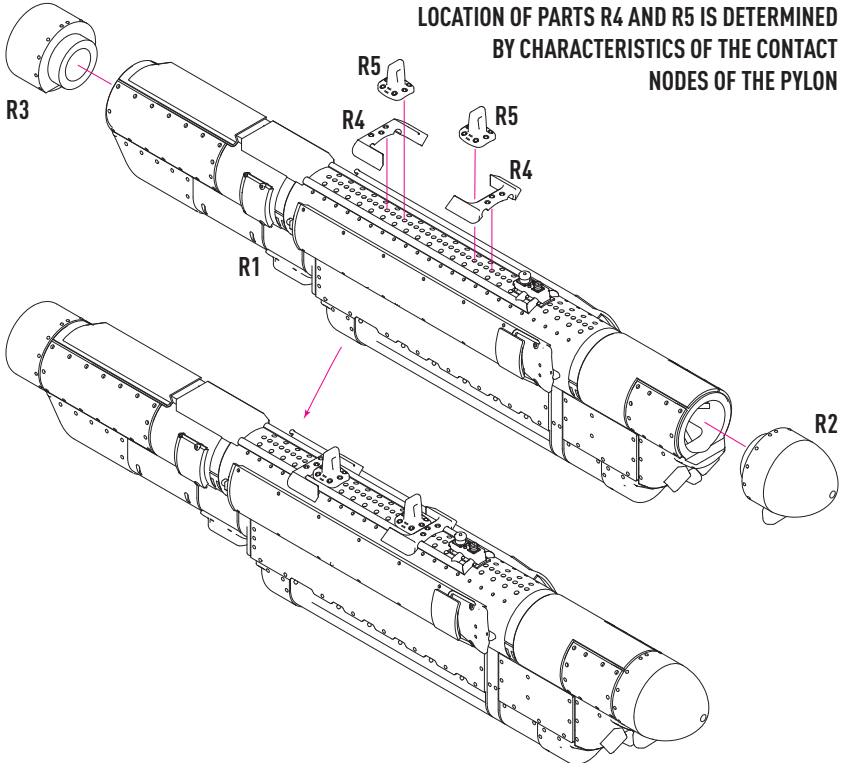


CUT

 USE A SAW TO REMOVE SUPPORTS
FROM 3D PRINTED PARTS



LOCATION OF PARTS R4 AND R5 IS DETERMINED
BY CHARACTERISTICS OF THE CONTACT
NODES OF THE PYLON



COLORS	GUNZE / AGEKUS	GUNZE / MR.COLOR	FEDERAL STANDARD
WHITE	H316	C316	FS 17875
SILVER	H8	C8	
SEMIGLOSS BLACK		C92	

