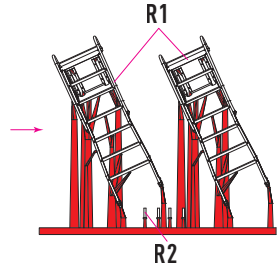
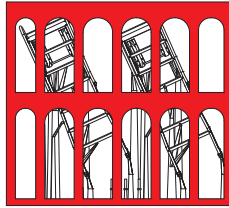


CUT

REMOVE
PROTECTIVE COVER

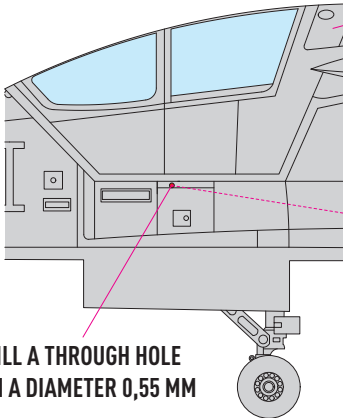


USE A SAW TO REMOVE SUPPORTS
FROM 3D PRINTED PARTS

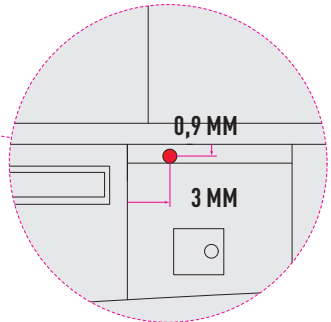


1

SIDE OF THE AIRCRAFT (LEFT)
REPEAT FOR RIGHT



DRILL A THROUGH HOLE
WITH A DIAMETER 0,55 MM

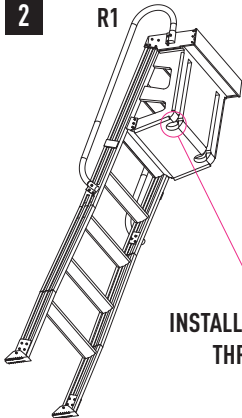


2

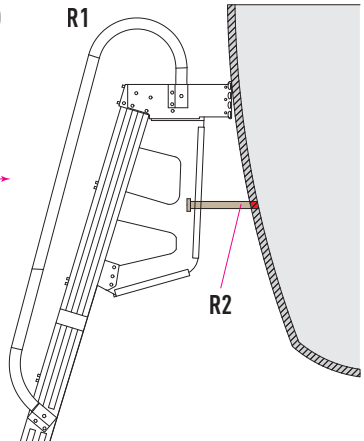
R1

INSTALL PART R2 INTO
THE FUSELAGE

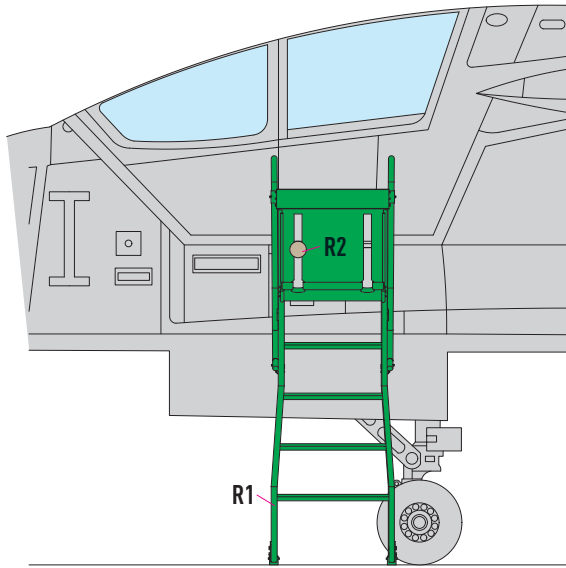
R1



INSTALL PART R1 ON PART R2
THROUGH THE HOLE



3 LEFT SIDE



4 RIGHT SIDE

