

### DETAILS AFTER REMOVAL FROM SUPPORTS

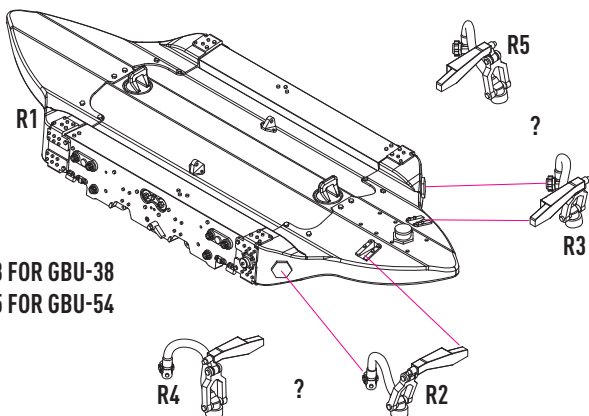
USE A SAW TO REMOVE SUPPORTS  
FROM 3D PRINTED PARTS



R1 X2

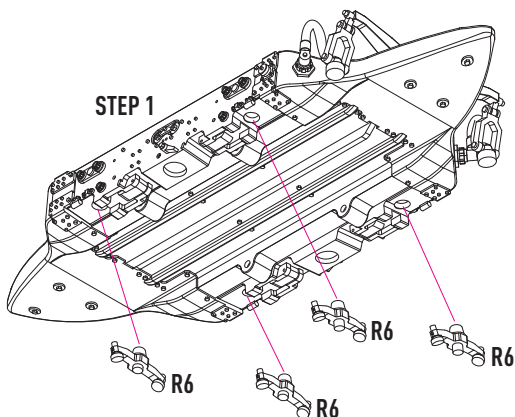


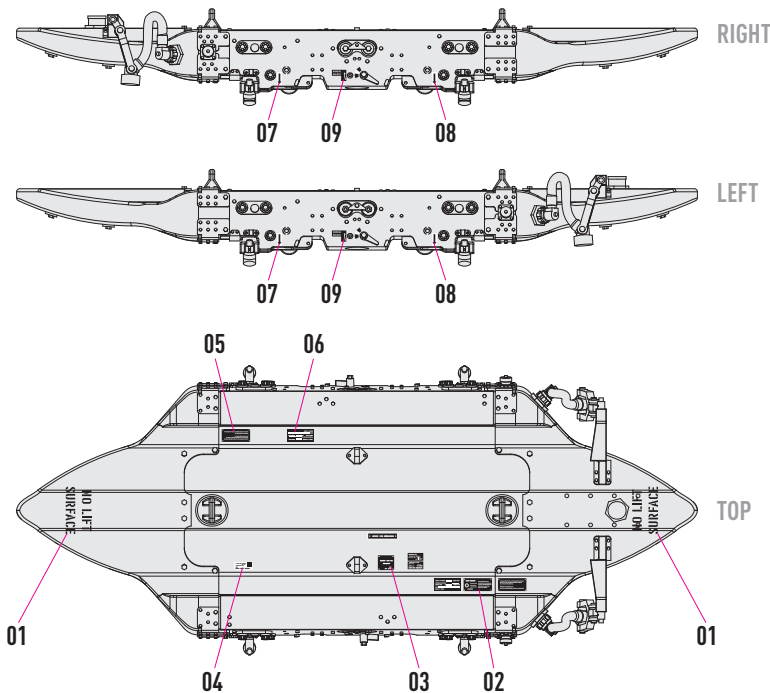
## 1 X2



USE PARTS R2+R3 FOR GBU-38  
USE PARTS R4+R5 FOR GBU-54

## 2 X2





### PAINT INSTRUCTION

COLORS	SOURCE / ADDRESS	SOURCE / PMS.COLOR	SOURCE / PMS.METAL.COLOR
BLACK	H2	C2	
LIGHT GULL GRAY	H51	C11	
NEUTRAL GRAY	H53	C13	
SILVER	H8	C8	
DARK IRON			MC 214
STAINLESS			MC 213
RED	H3	C3	

