

Revell

KIT 5715

85571500200

F-15 D/E EAGLE

The F-15E Eagle is one of the most advanced combat aircraft in use today. The NATO Association of Tiger Squadrons was created in 1961. It's role was to promote solidarity between NATO air forces. During the "Tiger Meets", the squadrons engage in competitions reflecting actual combat situations. Now, 32 squadrons form the Association, each of which have a tiger as part of its squadron crest. The squadrons share ideas and experiences, and the "Tiger Meets" are also public relations exercises for NATO. The competing aircraft are usually painted with a attention getting tiger stripe theme during these meets.

Your Revell model features a highly detailed cockpit, ejection seats and landing gear, optional weapons such as gun pod, sidewinder missiles, sparrow missiles, MK-82 bombs and auxiliary fuel tanks. Authentic large sized decal markings for the "Bold Tigers", 391st Fighter Squadron, Mountain Home AFB, Idaho, host of the 2005 "Tiger Meet of the Americas" or standard squadron markings for the 391st Fighter Squadron.



* REPEAT SEVERAL TIMES
* A REPETER PLUSIEURS FOIS

* REPEAT PROCEDURE
* RÈPÈTEZ LE PROCÈDE

* OPTIONAL PARTS
* PIÈCES EN OPTION

* DECAL
* DECAL COMANIE

* ASSEMBLY CAUTION
* ATTENTION D'ASSEMBLÉE

* CEMENT TOGETHER
* A COLLER

* REMOVE AND THROW AWAY
* A RETIRER ET JETER

* DO NOT CEMENT
* NE PAS COLLER

READ THIS BEFORE YOU BEGIN

- * Study the assembly drawings.
- * Each plastic part is identified by a number.
- * In the assembly drawings, some parts will be marked by a star (★) to indicate chrome plated plastic.
- * For better paint and decal adhesion, wash the plastic parts in a mild detergent solution. Rinse and let air dry.
- * Check the fit of each piece before cementing in place.
- * Use only cement for polystyrene plastic.
- * Scrape plating and paint from areas to be cemented.
- * Allow paint to dry thoroughly before handling parts.
- * Any unused parts may be discarded.

DECAL APPLICATION INSTRUCTIONS

1. Cut desired decal from sheet.
2. Dip decal in water for a few seconds.
3. Place wet decal on paper towel.
4. Wait until decal is movable on paper backing.
5. Place decal in position on model, face up and slide backing away.
6. Press out air bubbles with a soft damp cloth.
7. Milkiness that may appear is for better decal adhesion and will dry clear. Wipe away any excess adhesive.
8. Do not touch decal until fully dry.
9. Allow the decals 48 hours to dry before applying clear coat.

NOTE: Decals are compatible with setting solutions or solvents.

LIRE CE QUI SUIT AVANT DE COMMENCER

- * Etudier les schémas de montage.
- * Chaque pièce en plastique est identifiée par un numéro.
- * Sur les schémas de montage, certaines pièces sont marquées d'une étoile (★) pour indiquer qu'elles sont en plastique chromé.
- * Pour une meilleure prise de la peinture et des autocollants, laver les pièces en plastique avec une solution détergente peu concentrée. Les rincer et les laisser sécher à l'air.
- * Vérifier que chaque pièce s'ajuste bien avant de la coller en place.
- * N'utiliser que de la colle pour polystyrène.
- * Gratter les parties à coller pour enlever le chrome et la peinture.
- * Laisser la peinture bien sécher avant de manipuler les pièces.
- * Toute pièce inutilisée peut être jetée.

DIRECTIVES D'APPLICATION DES AUTOCOLLANTS

1. Découper l'autocollant désiré de la feuille.
2. Tremper l'autocollant dans de l'eau pendant quelques secondes.
3. Placer l'autocollant mouillé sur une serviette en papier.
4. Attendez que l'autocollant puisse être déplacé sur son support en papier.
5. Mettre l'autocollant en position sur le modèle face sur le dessus et faire glisser le support pour l'enlever.
6. Appuyer avec un chiffon doux humide pour éliminer les bulles d'air.
7. La substance laiteuse qui peut apparaître est destinée à améliorer l'adhésion de l'autocollant et devient incolore au séchage. Essuyer pour enlever tout excédent d'adhésif.
8. Ne pas toucher l'autocollant tant qu'il n'est pas bien sec.
9. Laisser l'autocollant sécher pendant 48 heures avant d'appliquer une couche transparente.

REMARQUE: Les autocollants sont compatibles avec les solutions de fixation ou les solvants.

This paint guide is provided to complete this kit as shown on the box.

Ce guide de peintures est fourni pour reproduire le modèle réduit qui apparaît sur la boîte.

Aluminum	Aluminium
Jet Exhaust	Flux d'éjection
Dark Gray	Gris foncé
Light Gray	Gris clair
Flat Black	Noir mat
Gloss Red	Rouge brillant
Green	Vert
Olive Green	Vert olive
Olive Drab	Vert olive
White	Blanc
Yellow	Jaune
Silver	Argent
Steel	Acier
Rubber	Braun

If you have any questions or comments, call our hotline at: **(800) 833-3570**
or, please write to:

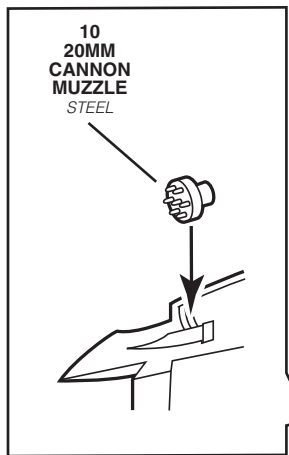
Revell Inc Consumer Service Department, 1850 Howard Street Unit A, Elk Grove Village, Illinois 60007

Be sure to include the plan number (85571500200), part number, description, your return address and phone number.

Visit our website: www.revell.com

1

MAIN FUSELAGE ASSEMBLY



3
FUSELAGE
BOTTOM

SECOND

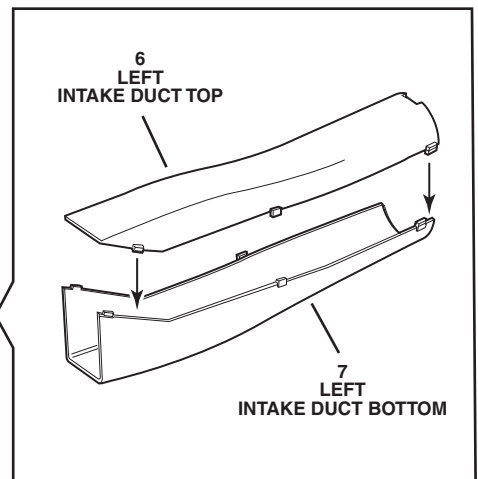
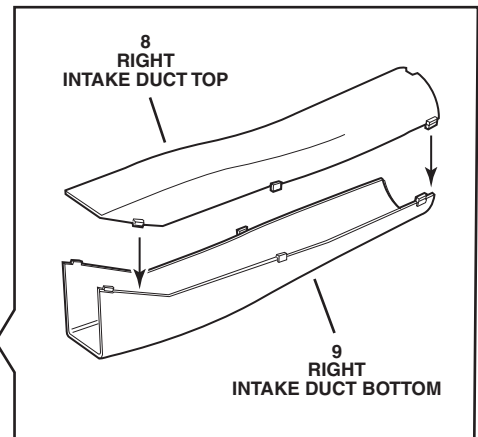
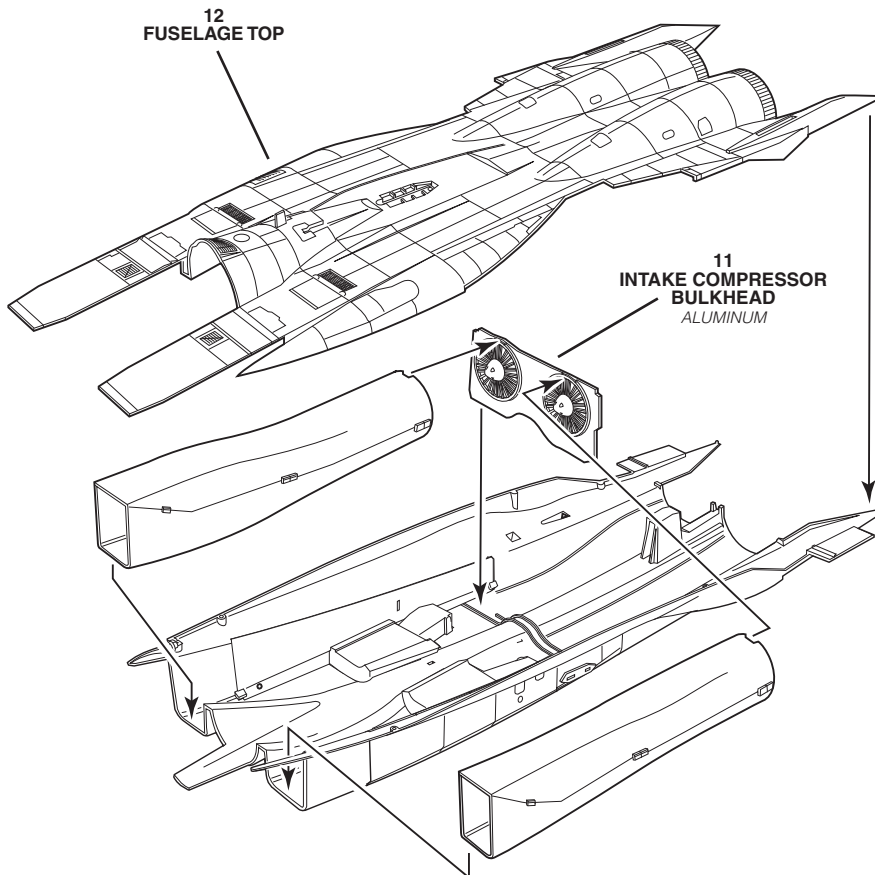
1
RIGHT ENGINE
ACCESS PANEL

4
RIGHT MAIN
GEAR WELL
WHITE

FIRST

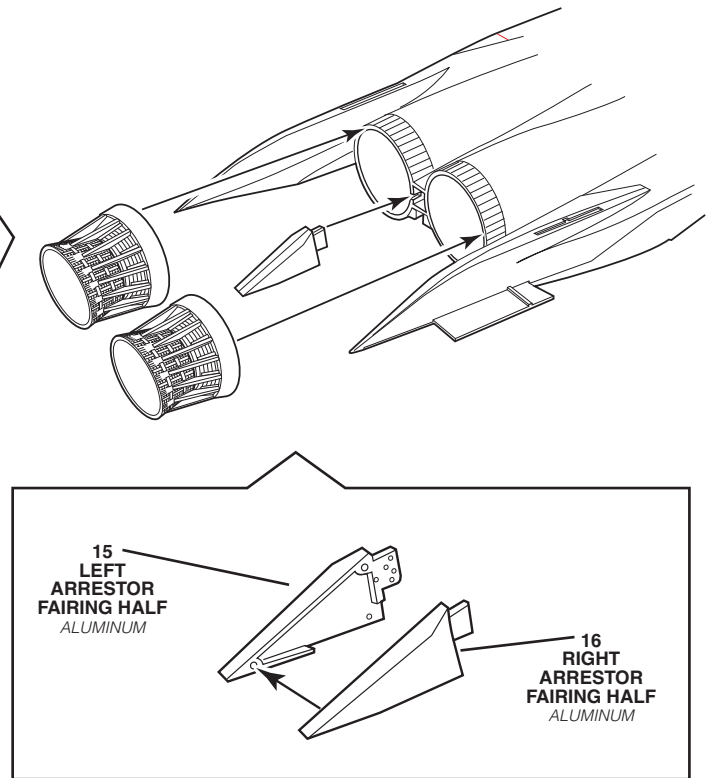
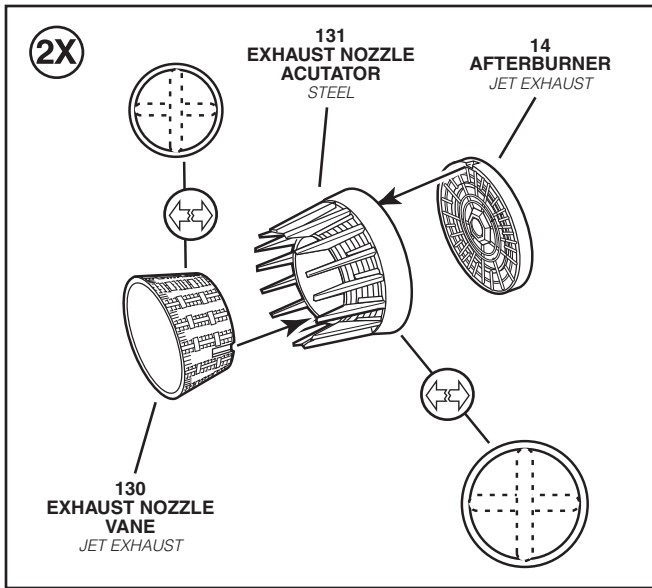
5
LEFT MAIN
GEAR WELL
WHITE

2
LEFT ENGINE
ACCESS PANEL
SECOND



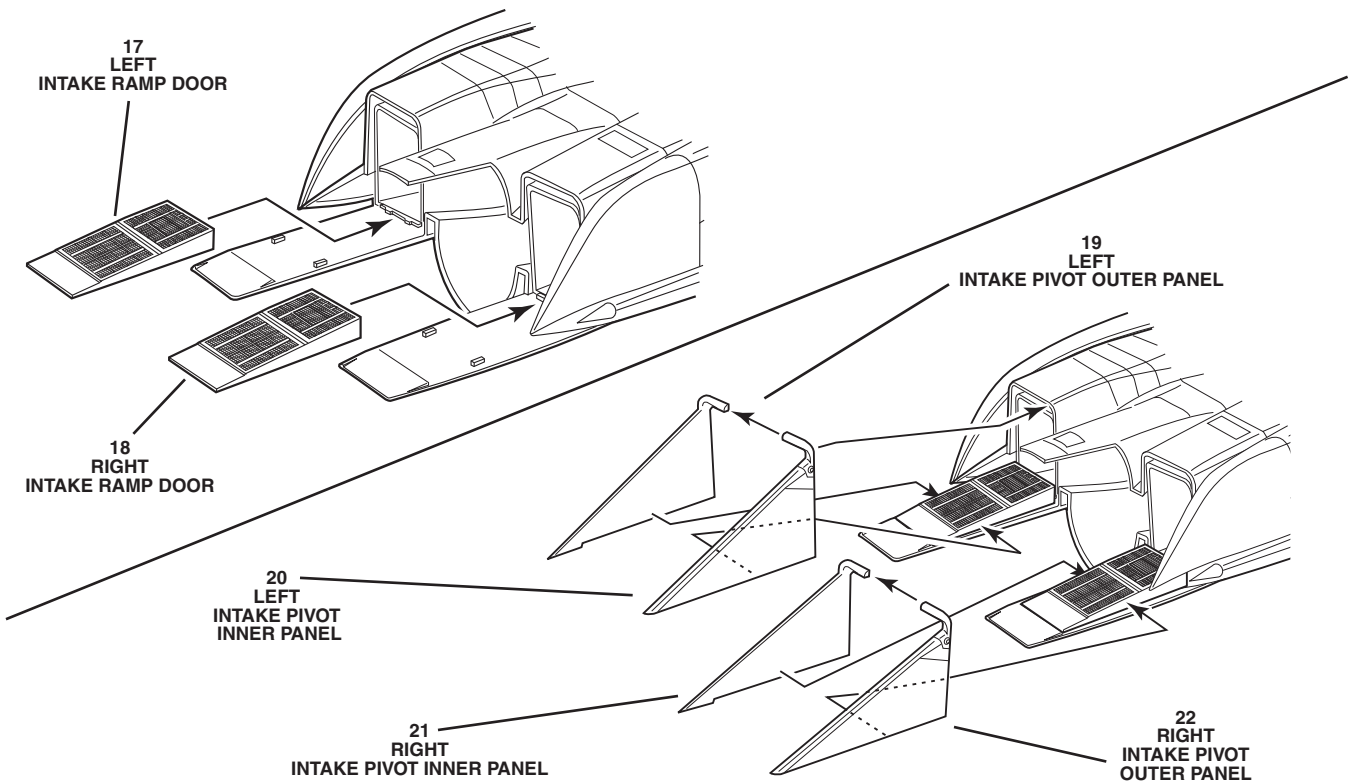
2

EXHAUST ASSEMBLY



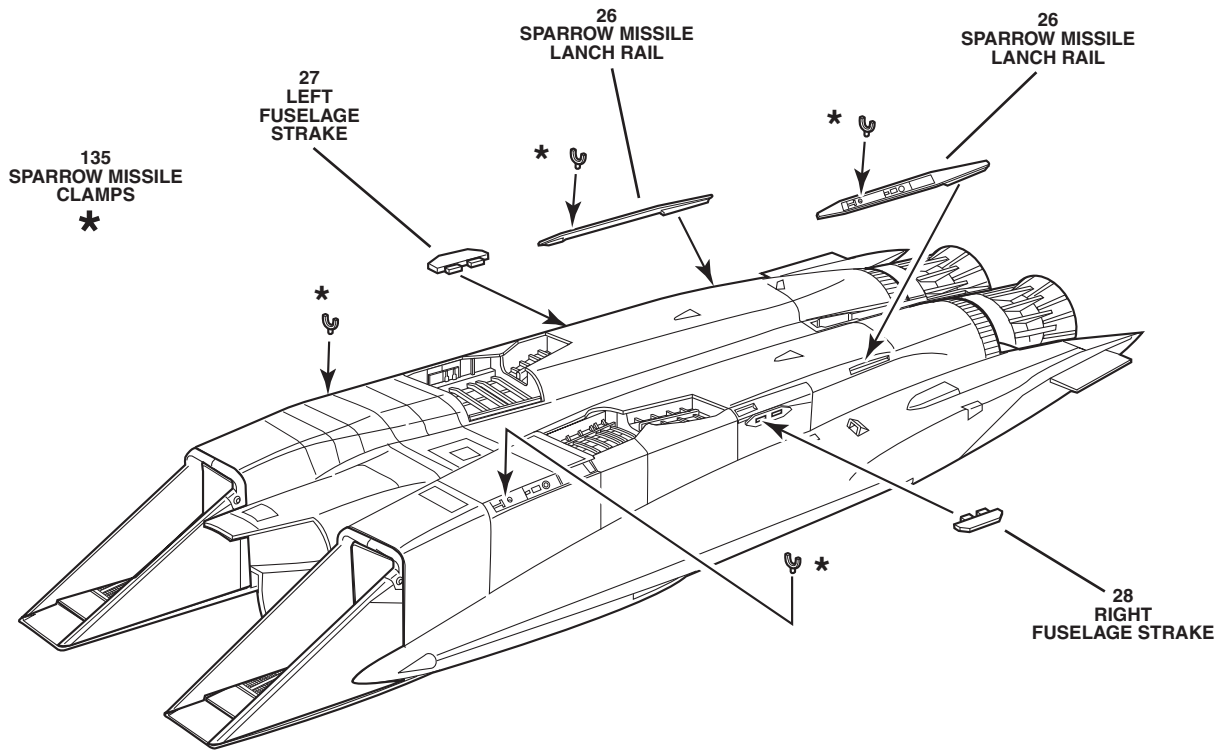
3

RAMP ASSEMBLY



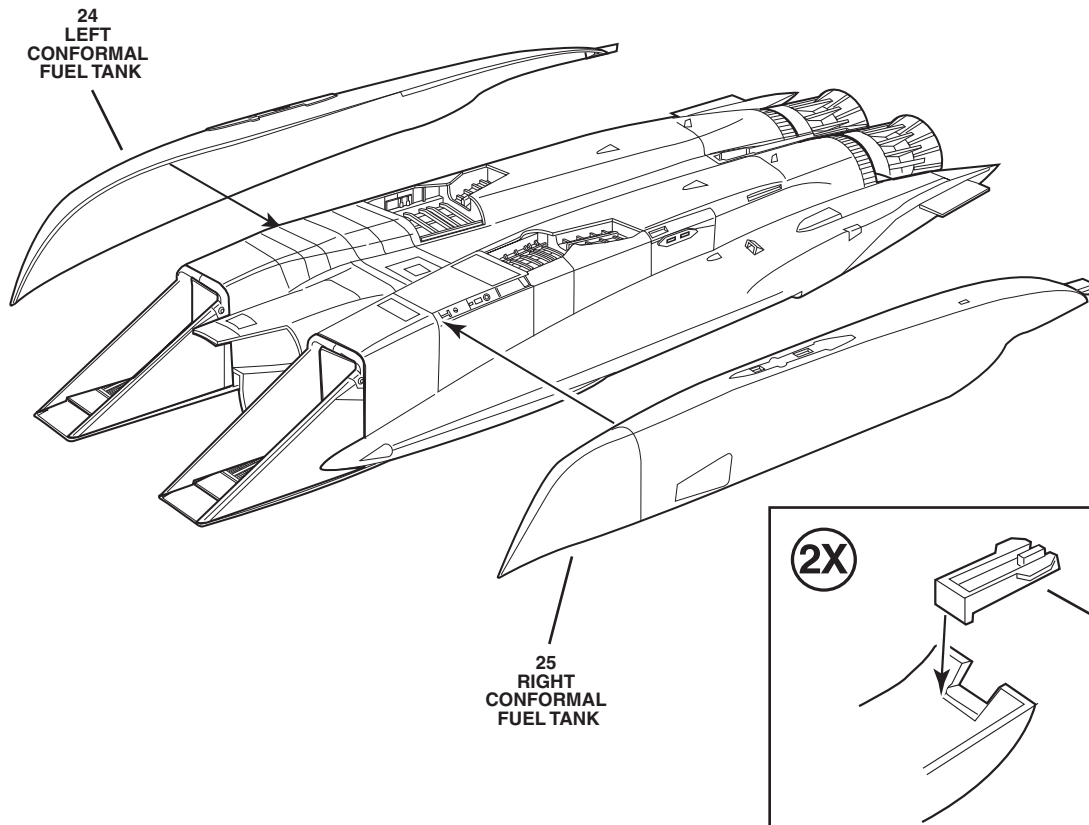
4

VERSION "D" ASSEMBLY



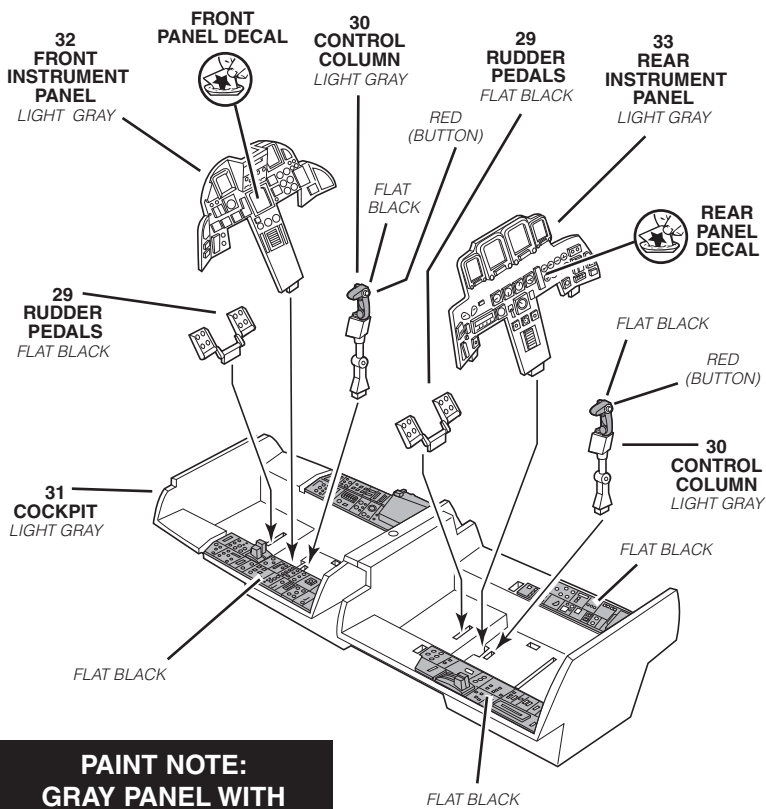
5

VERSION "E" ASSEMBLY

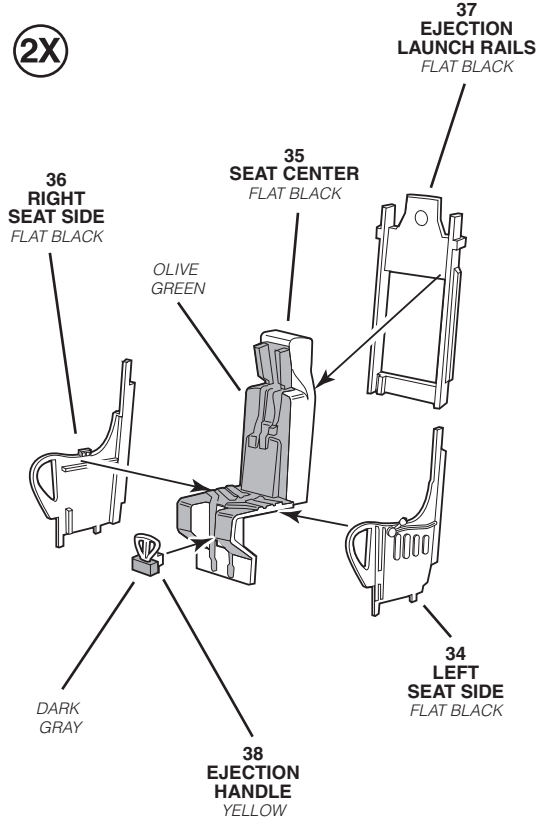


6

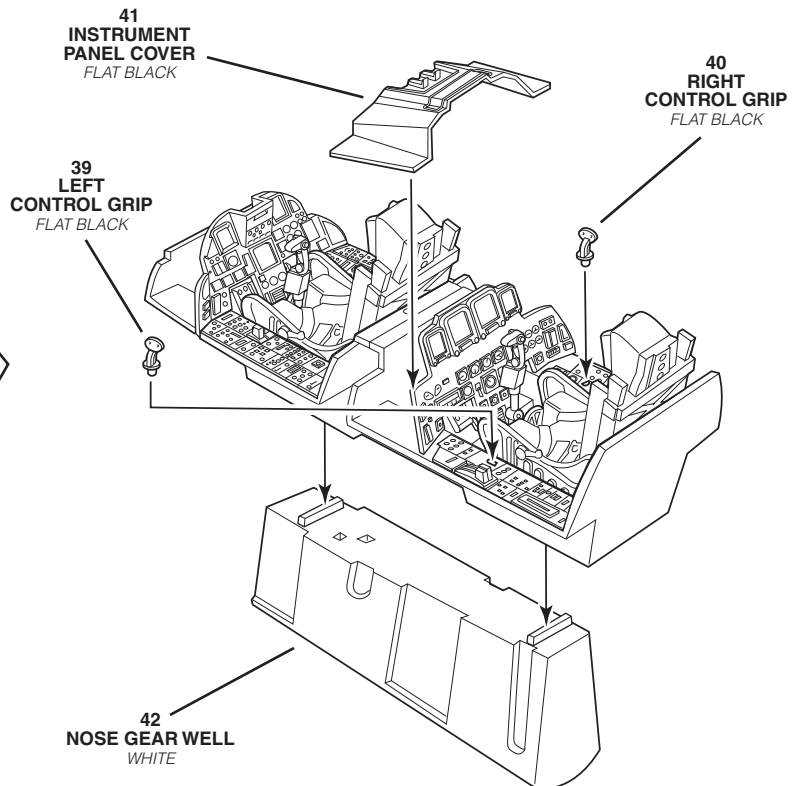
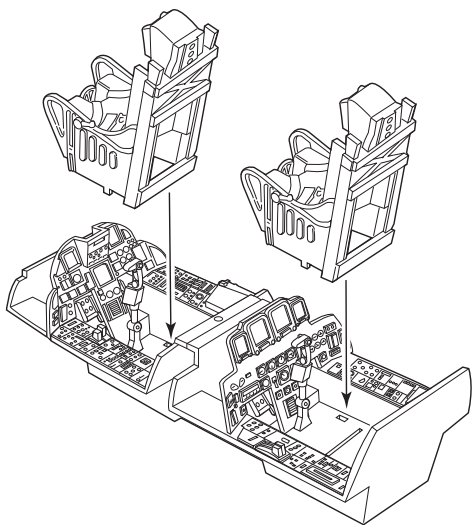
COCKPIT ASSEMBLY



PAINT NOTE:
GRAY PANEL WITH
BLACK INSTRUMENTS

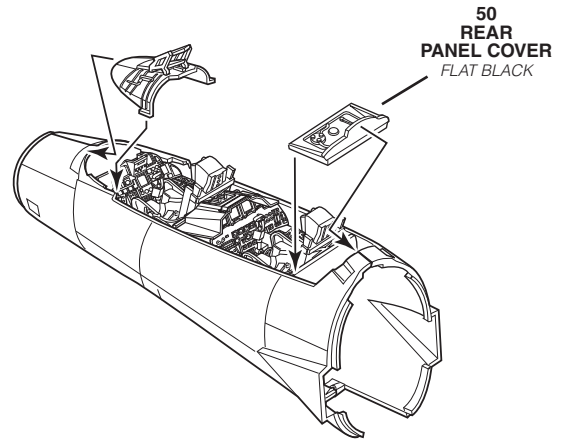
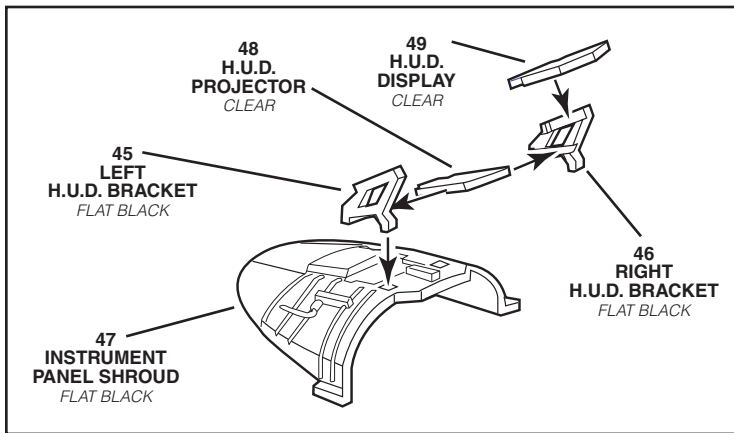
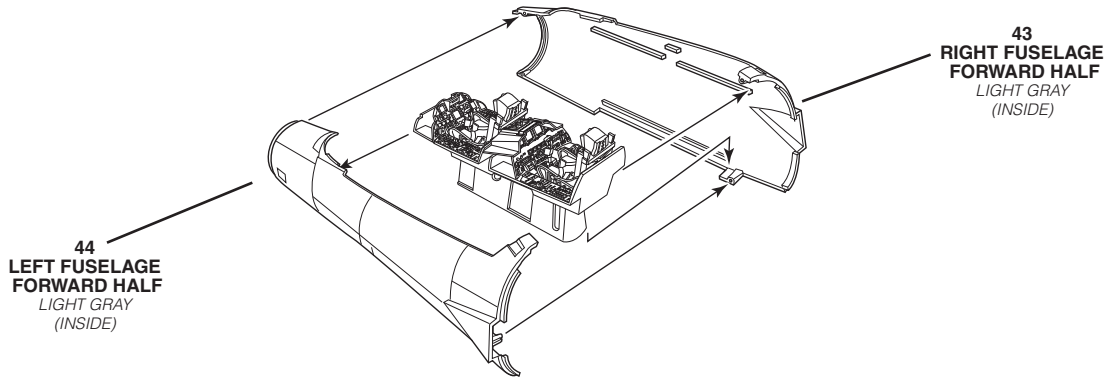


SEATS TO COCKPIT



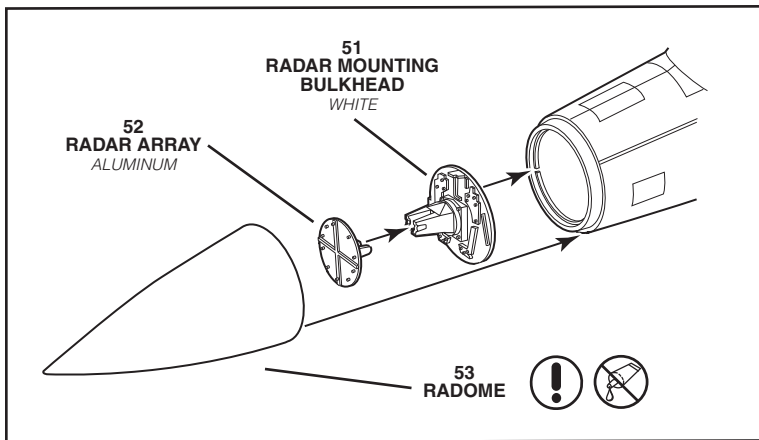
6

COCKPIT ASSEMBLY CONTINUED



7

NOSE ASSEMBLY



126 PITOT TUBE
STEEL

126 PITOT TUBE
STEEL

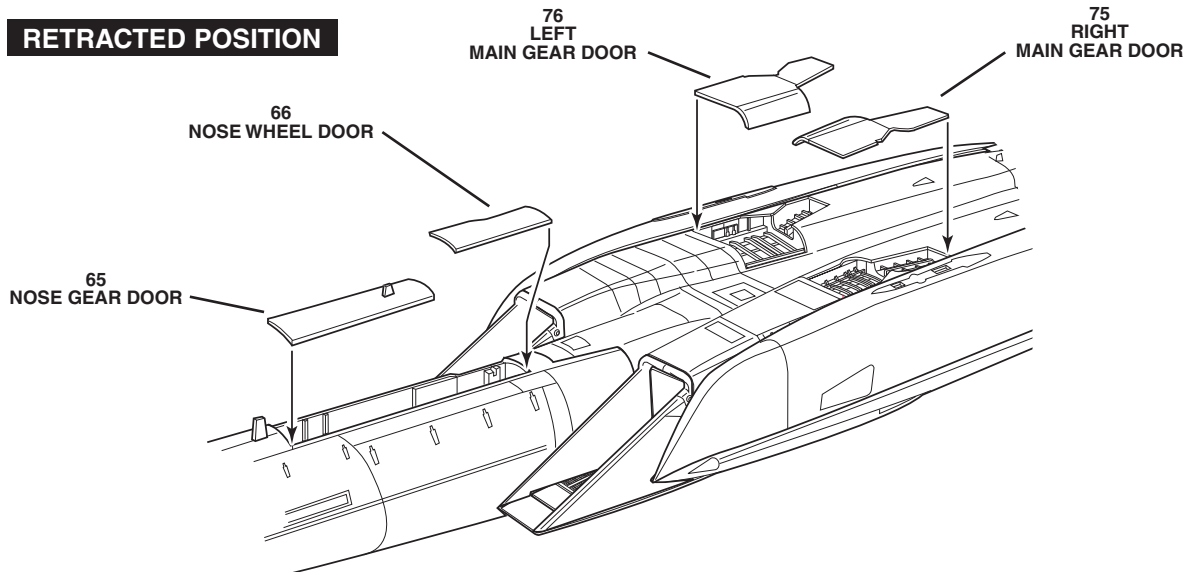
NOSE TO MAIN FUSELAGE

8

LANDING GEAR ASSEMBLY

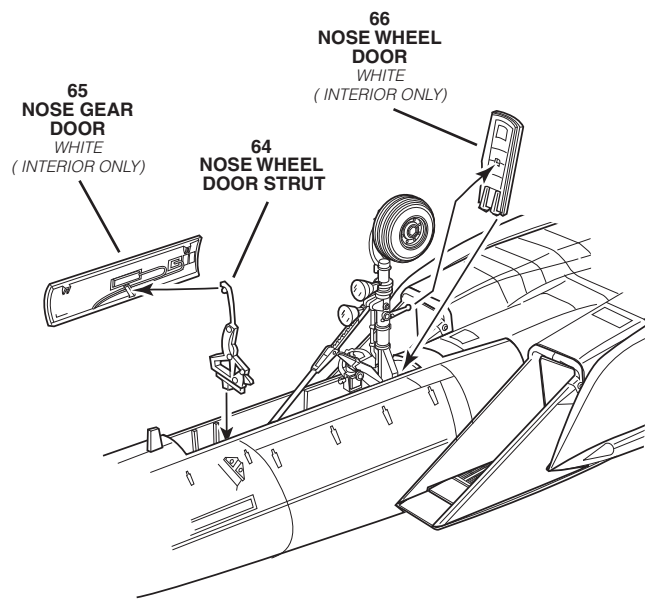
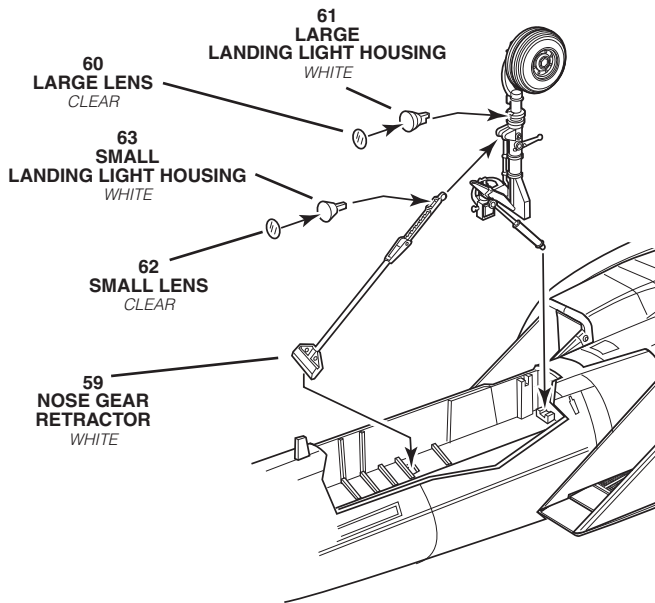
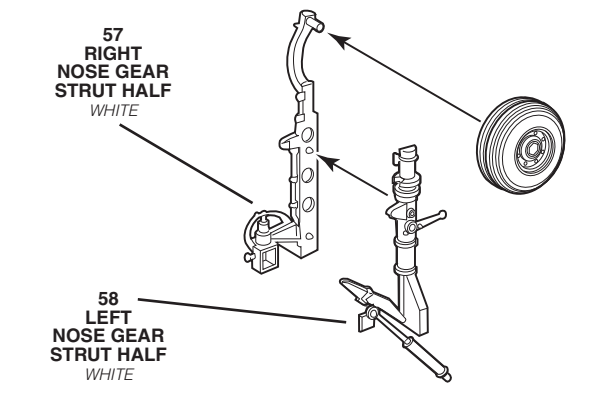
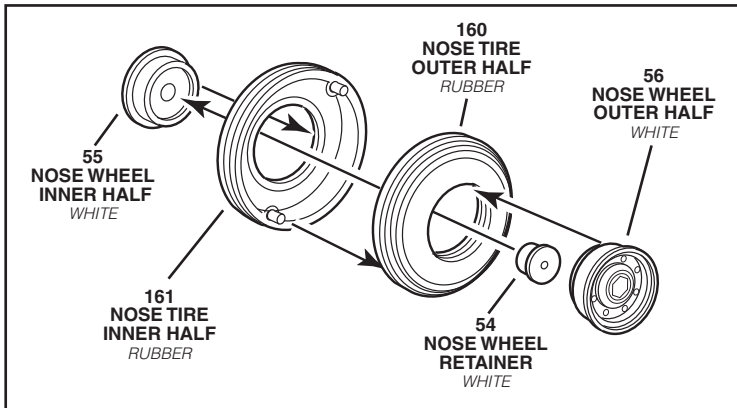


RETRACTED POSITION

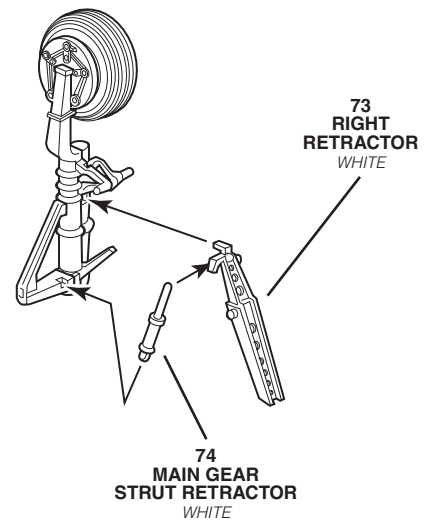
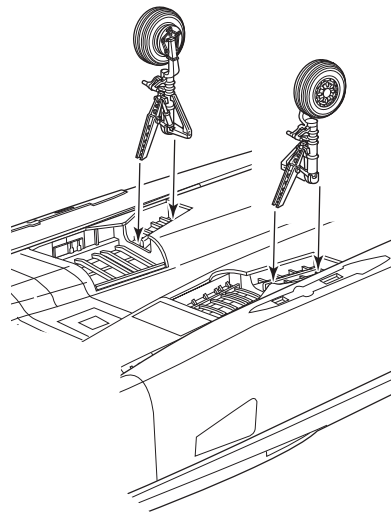
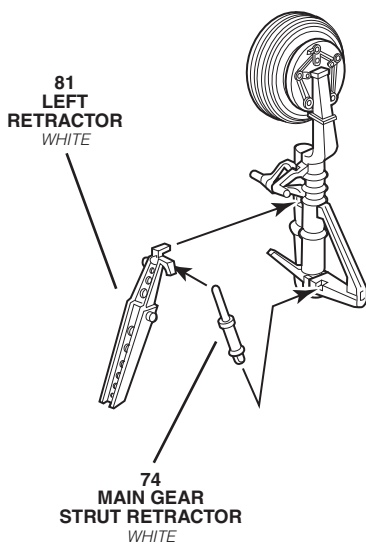
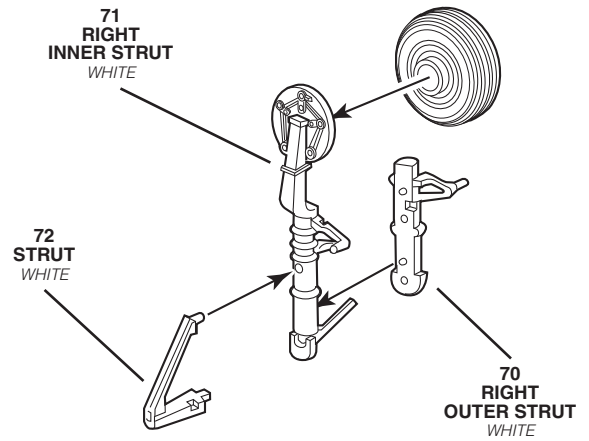
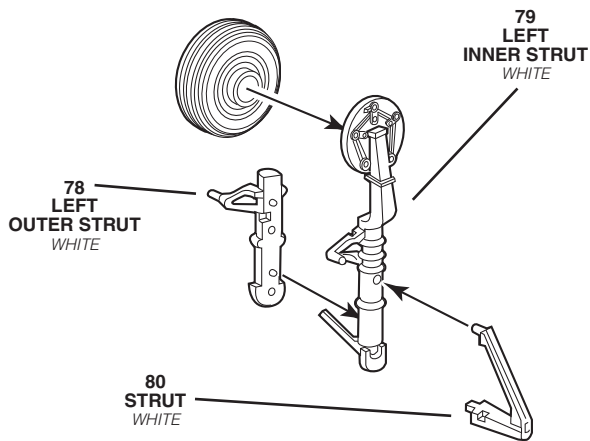
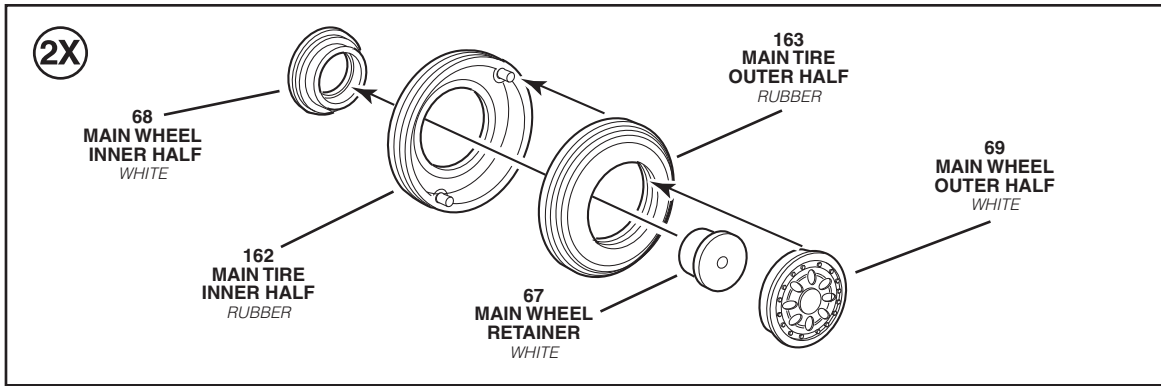


9

NOSE WHEEL ASSEMBLY

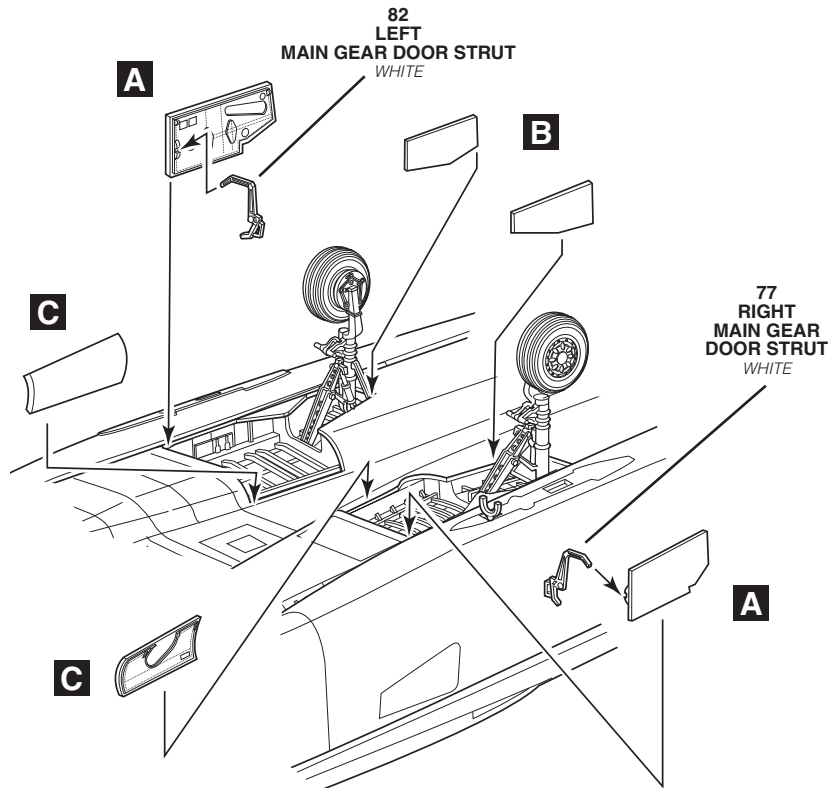
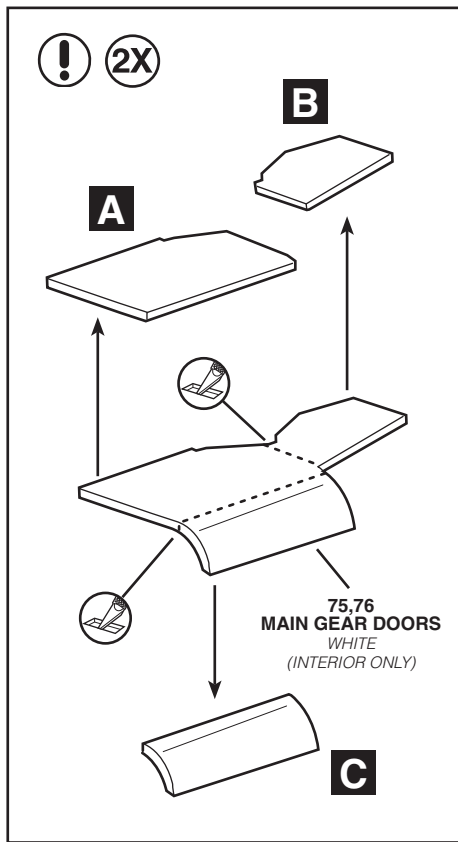


MAIN WHEEL ASSEMBLY



11

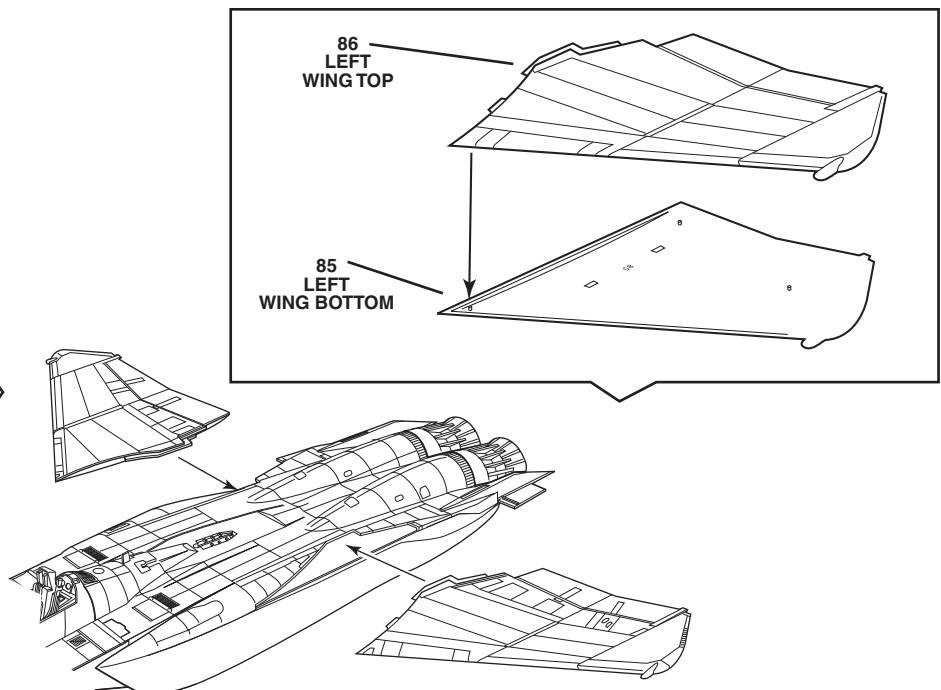
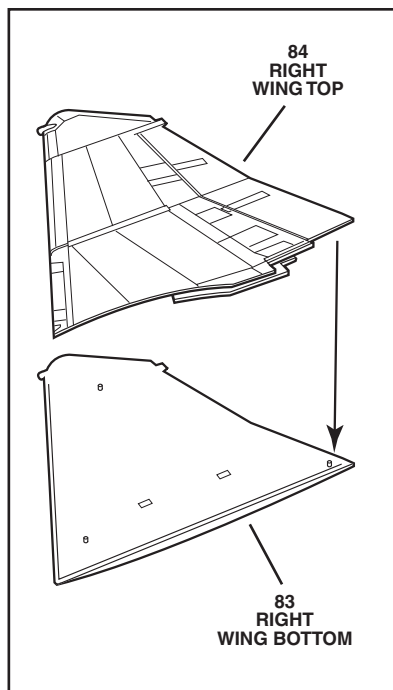
DOOR ASSEMBLY



PAINT NOTE: ALL DOORS INTERIORS ARE WHITE

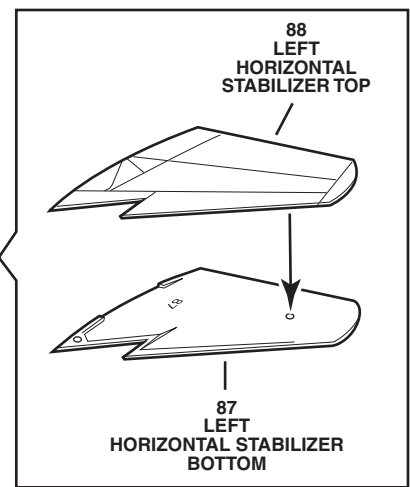
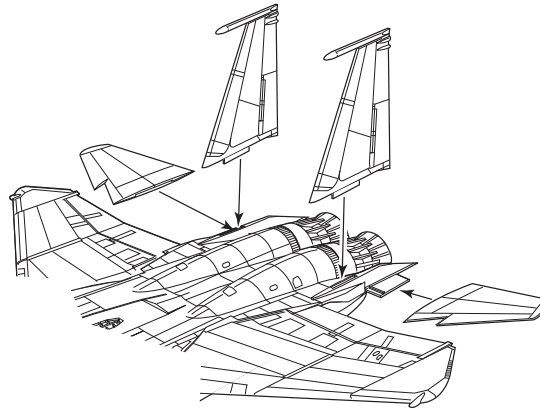
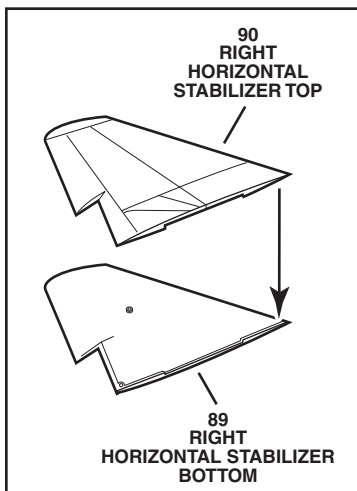
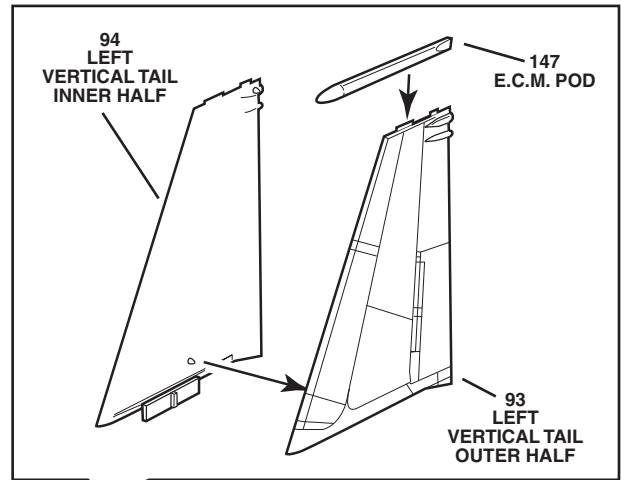
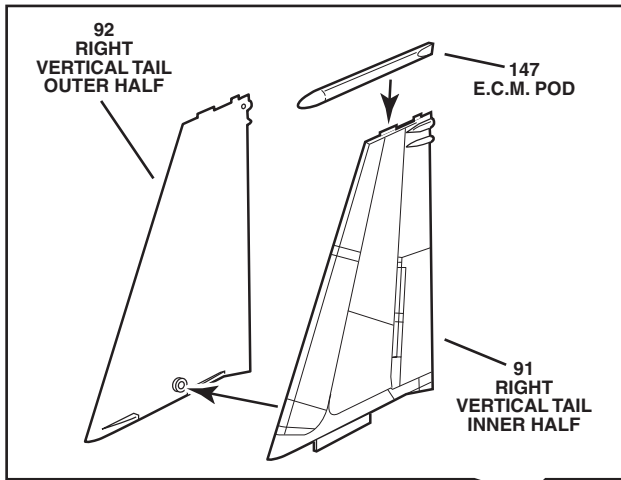
12

WING ASSEMBLY



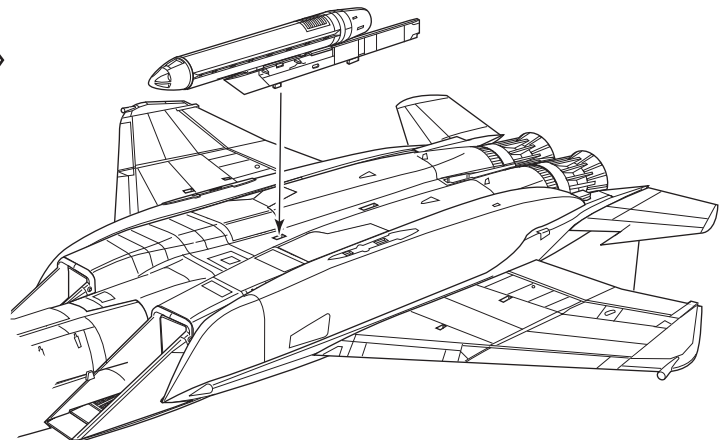
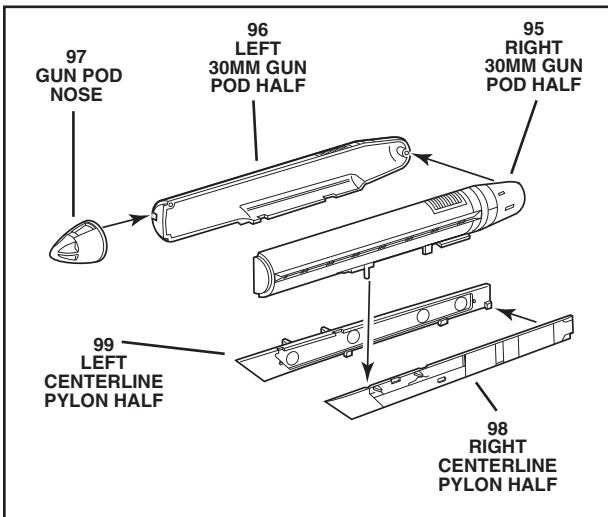
13

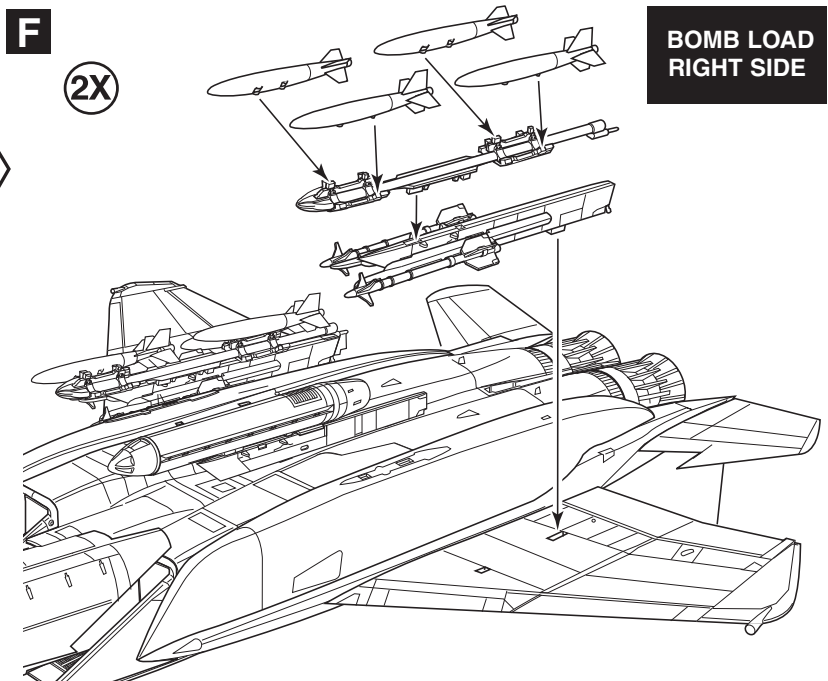
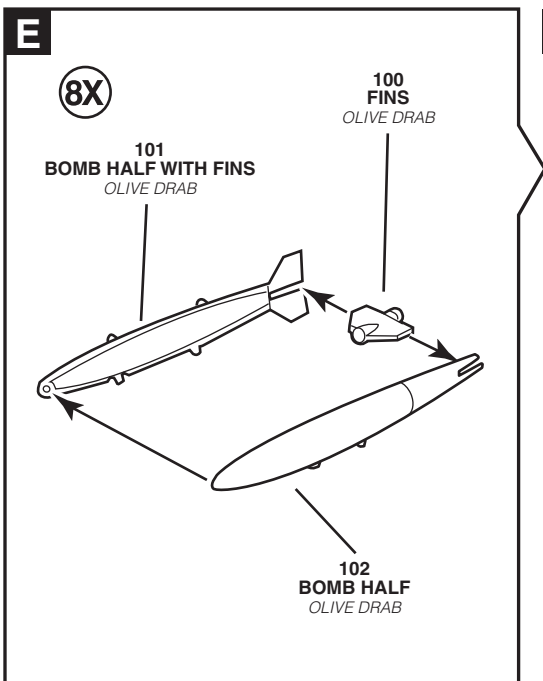
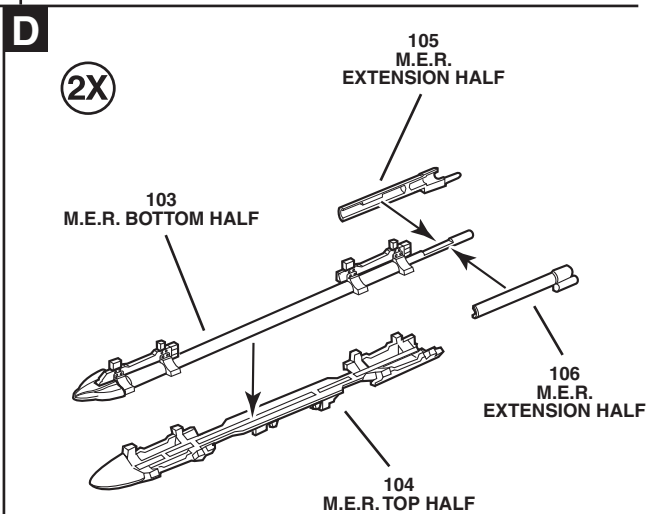
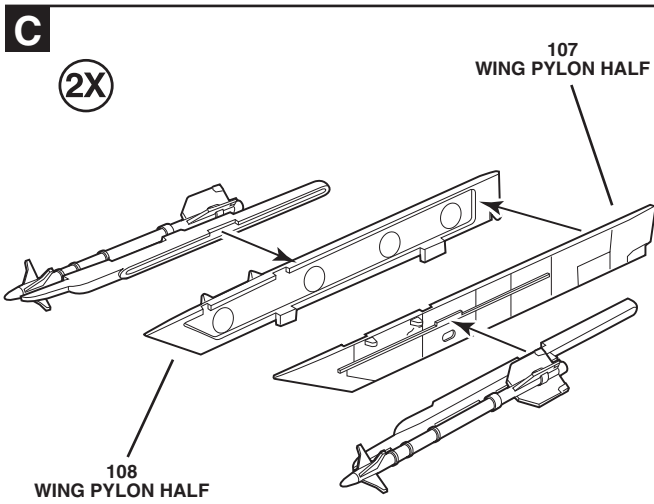
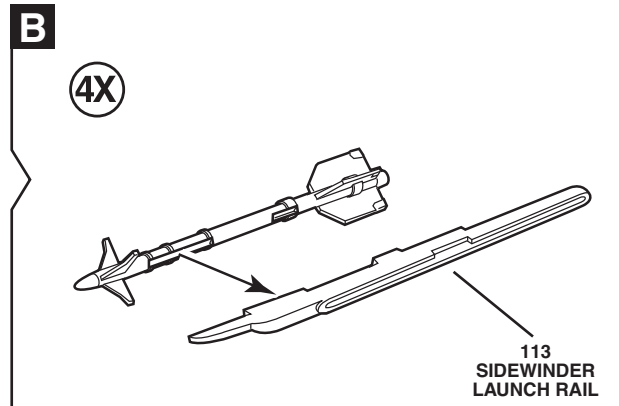
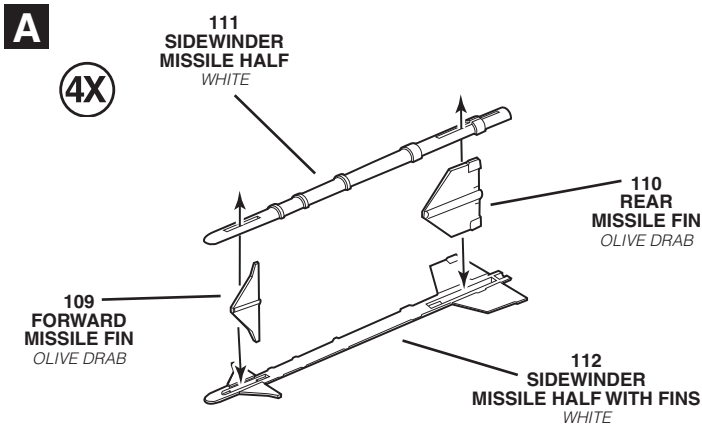
TAIL / STABILIZER ASSEMBLY

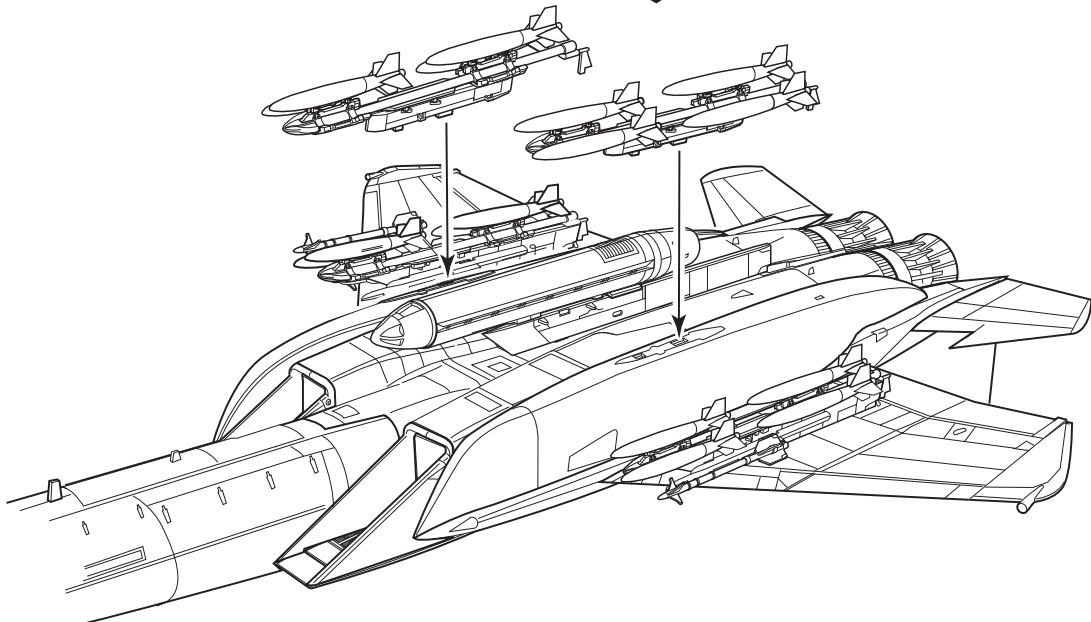
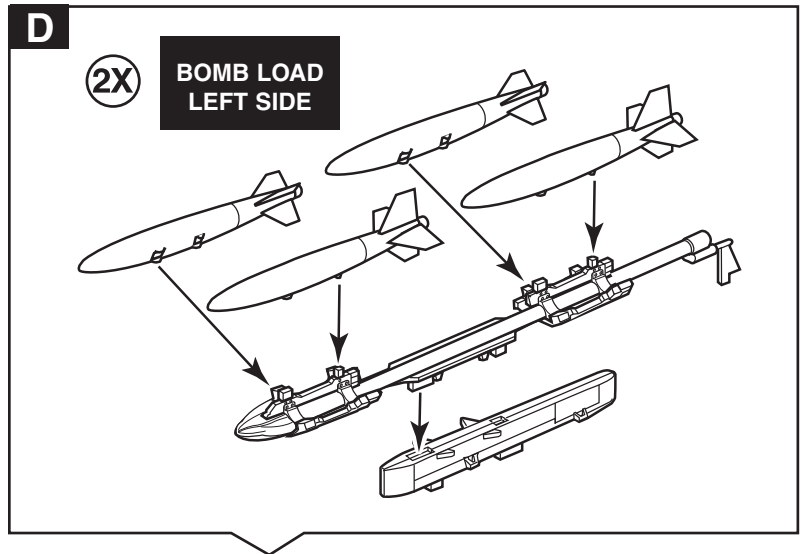
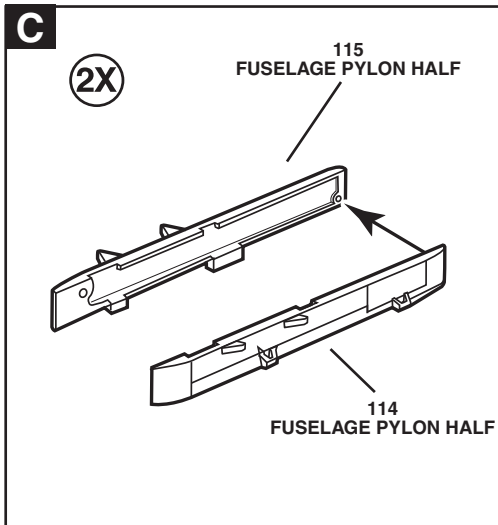
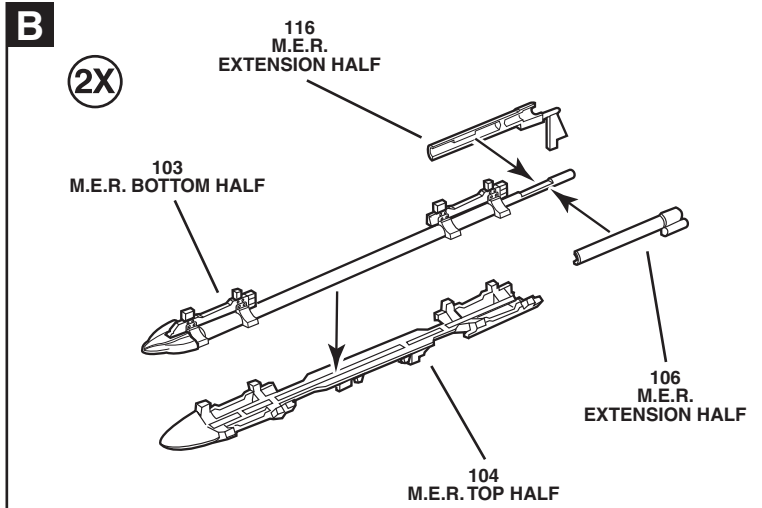
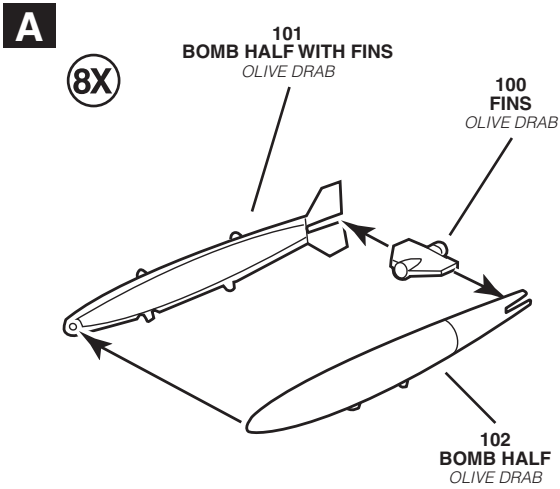


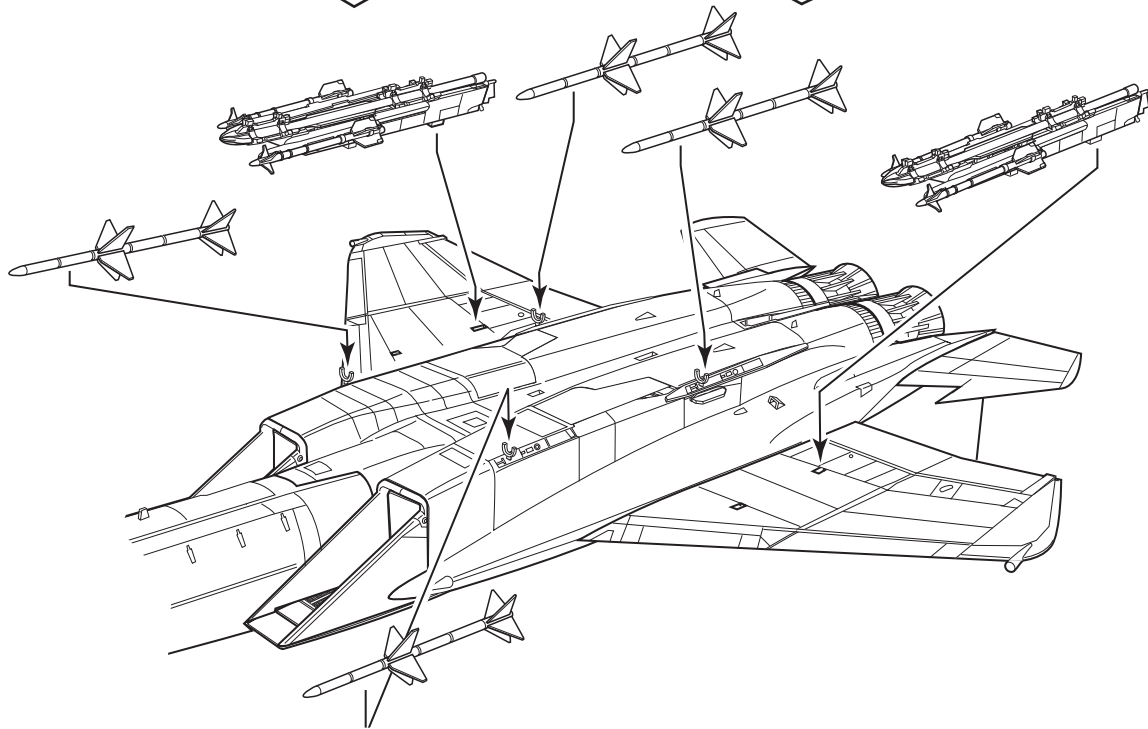
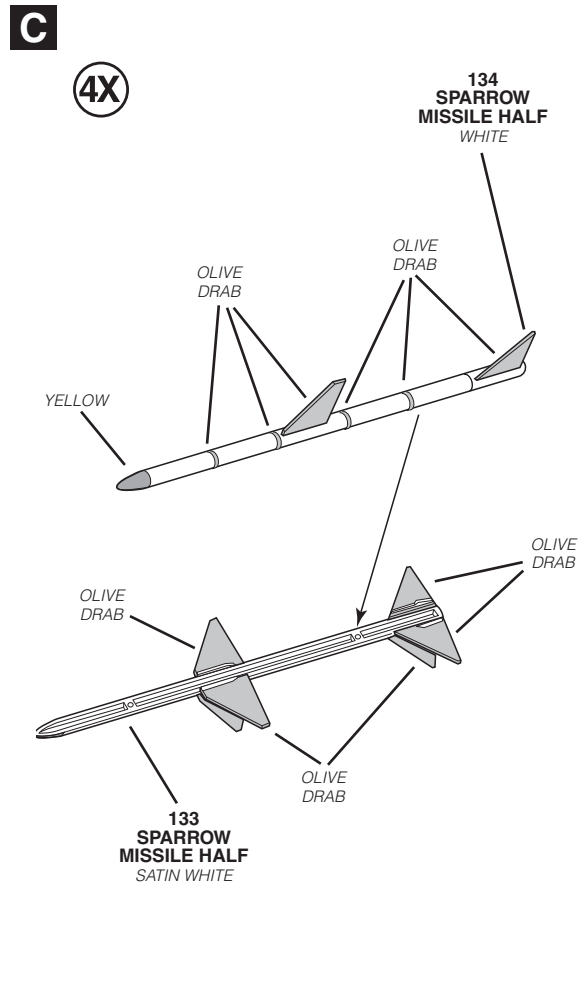
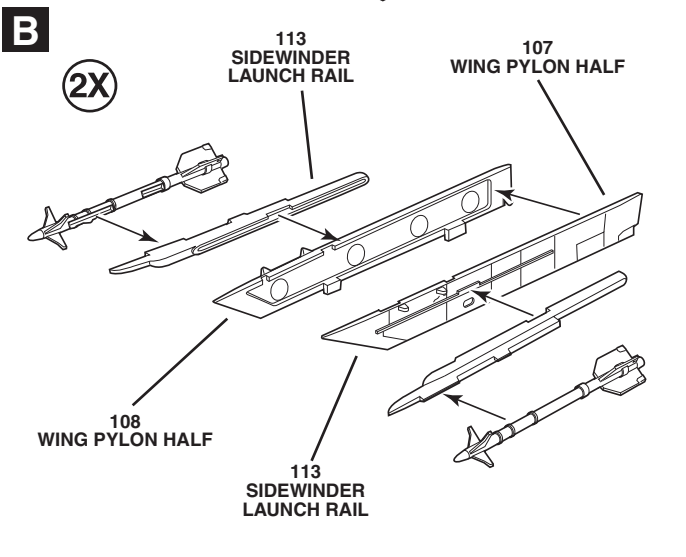
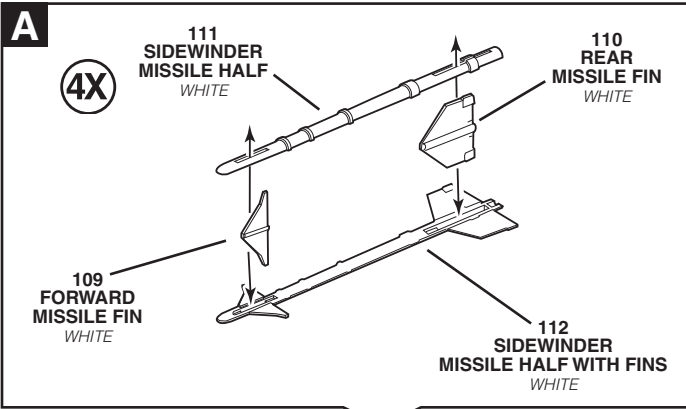
14

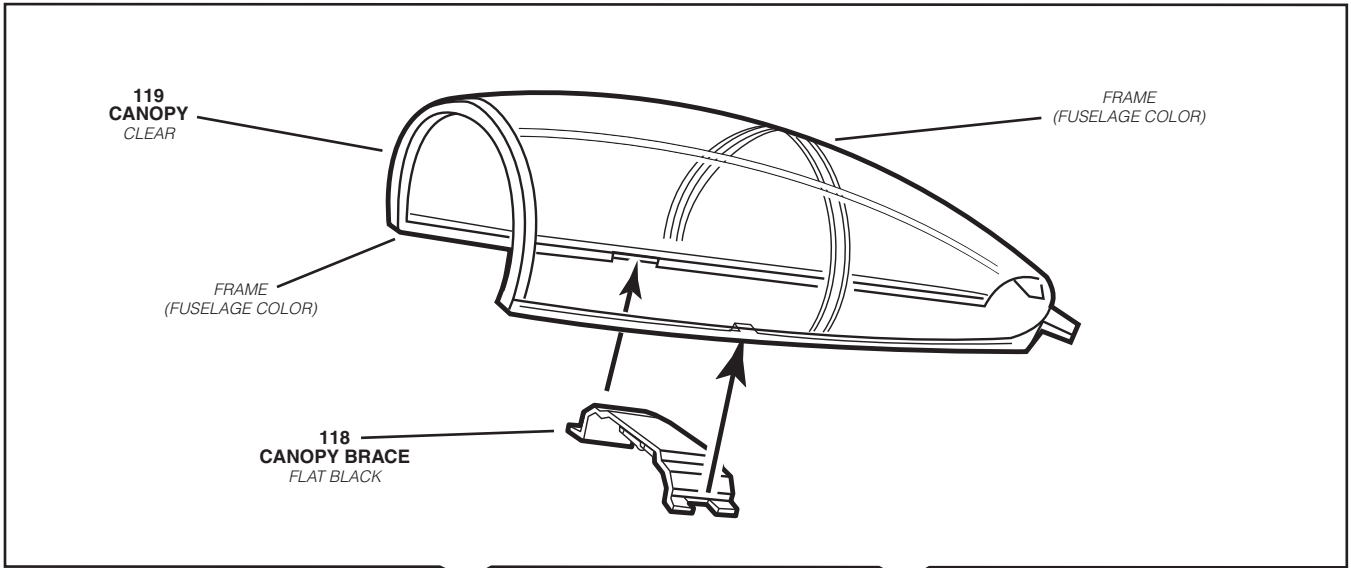
VERSION "E" ASSEMBLY



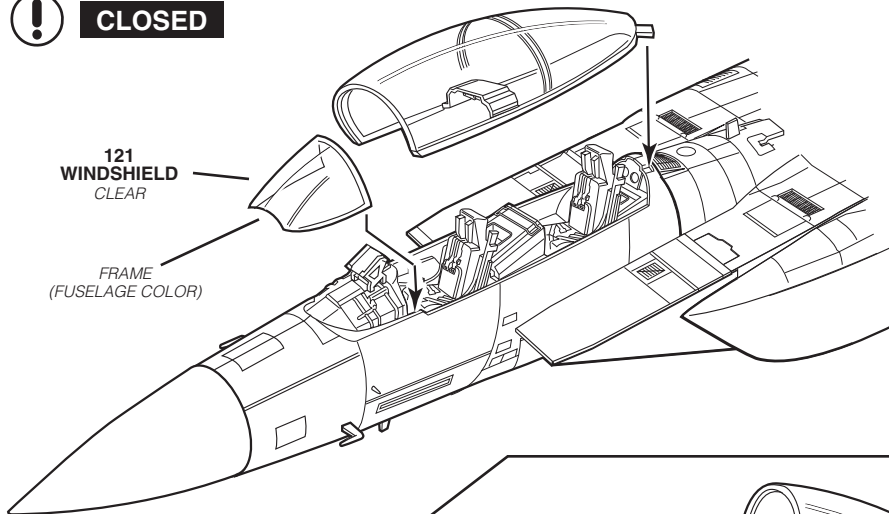




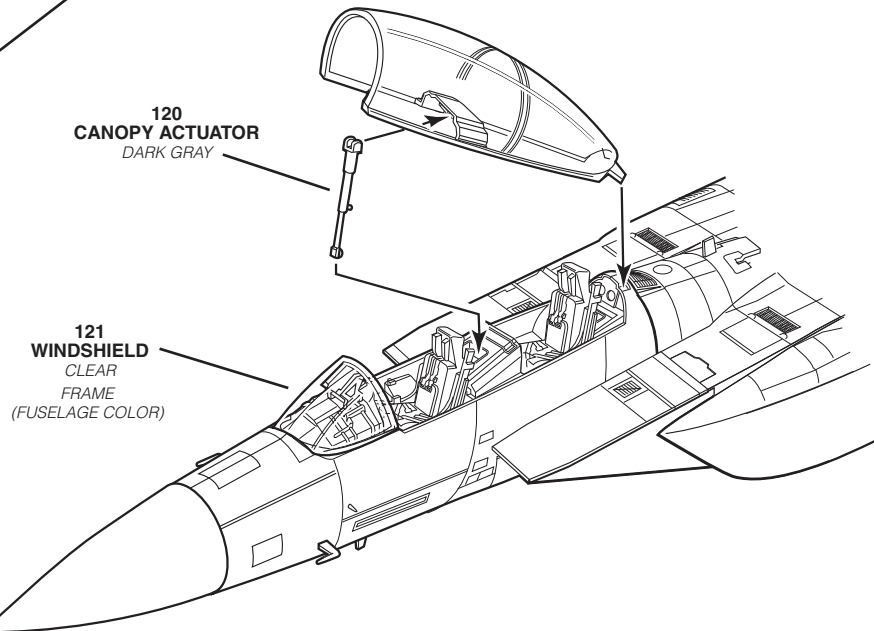




CLOSED



OPEN



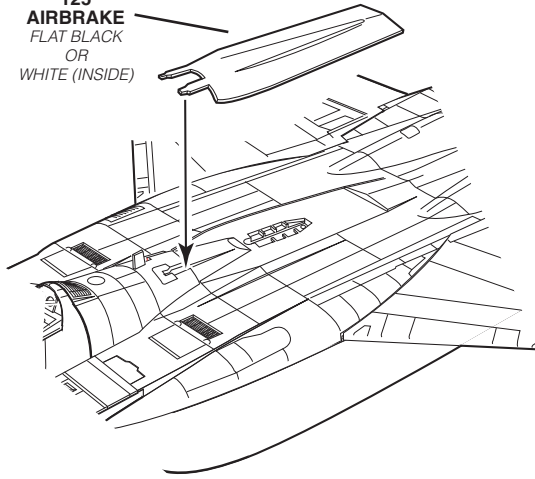
19

AIRBRAKE ASSEMBLY



CLOSED

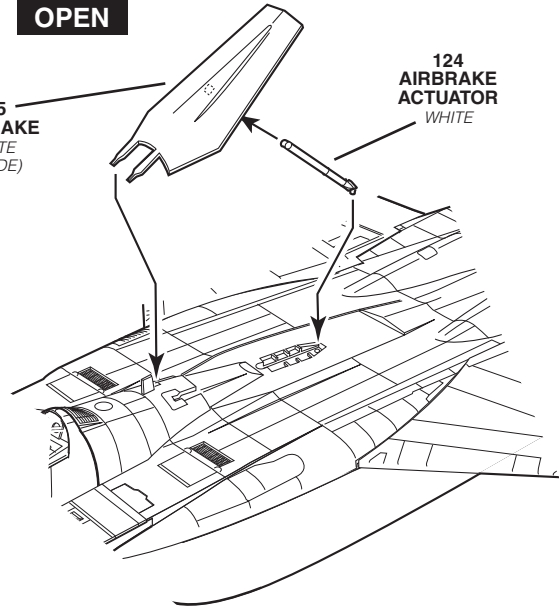
125
AIRBRAKE
FLAT BLACK
OR
WHITE (INSIDE)



OPEN

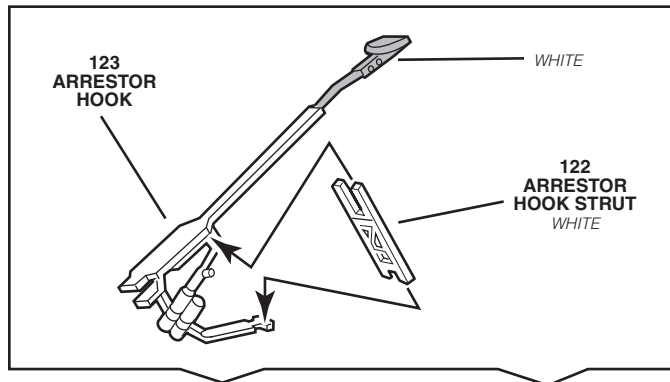
125
AIRBRAKE
WHITE
(INSIDE)

124
AIRBRAKE
ACTUATOR
WHITE

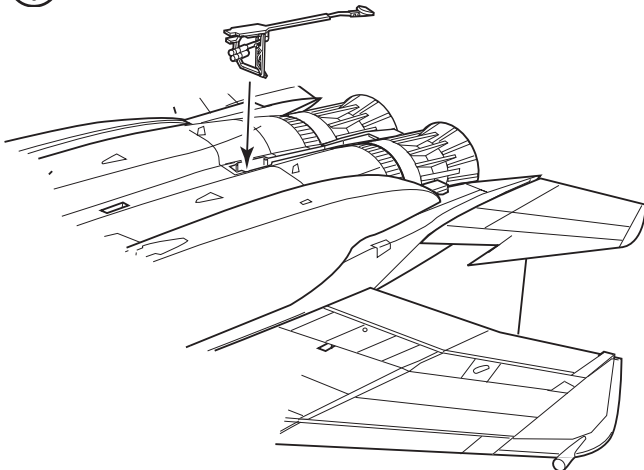


20

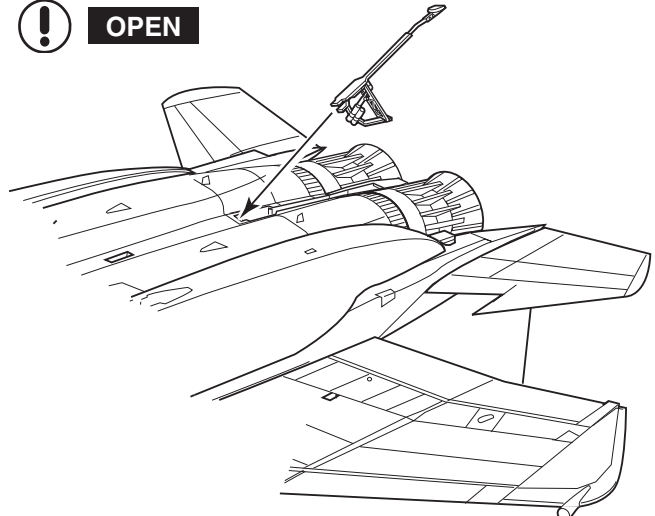
ARRESTOR ASSEMBLY



CLOSED

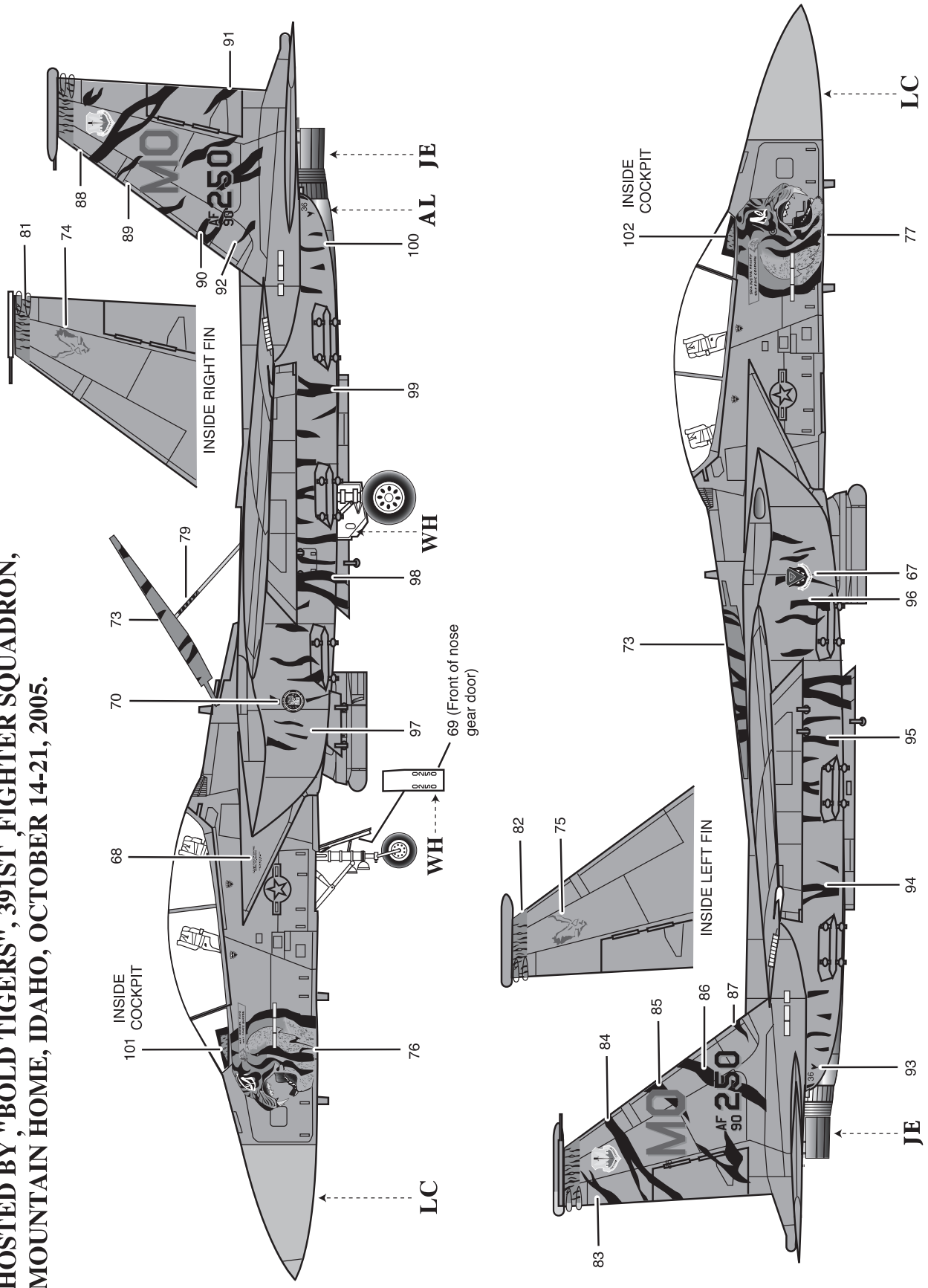


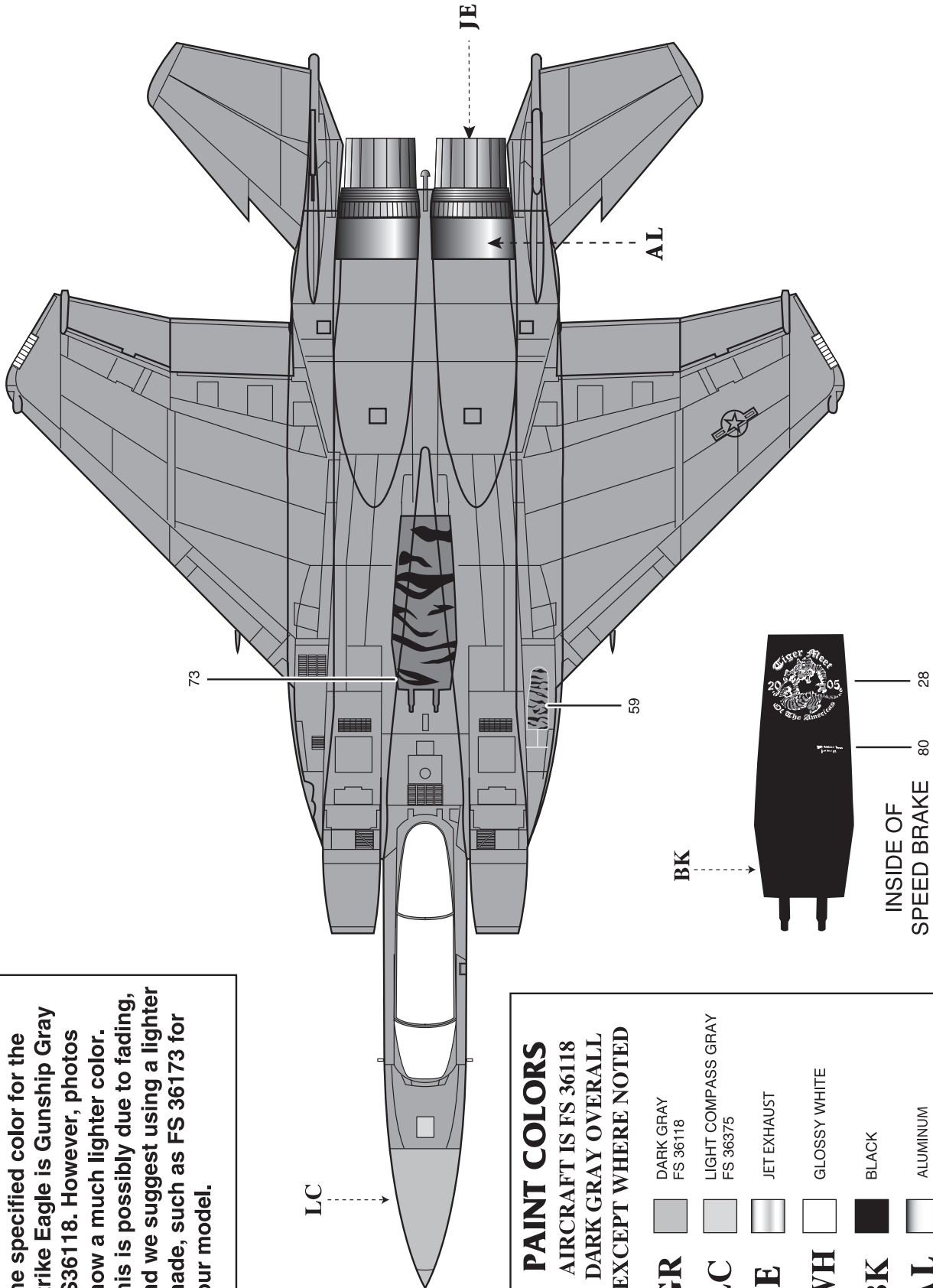
OPEN





F-15E-47-MC 89-0487 STRIKE EAGLE TIGER MEET OF THE AMERICAS HOSTED BY "BOLD TIGERS", 391ST FIGHTER SQUADRON, MOUNTAIN HOME, IDAHO, OCTOBER 14-21, 2005.





A NOTE ABOUT THE COLOR
 The specified color for the Strike Eagle is Gunship Gray FS36118. However, photos show a much lighter color. This is possibly due to fading, and we suggest using a lighter shade, such as FS 36173 for your model.

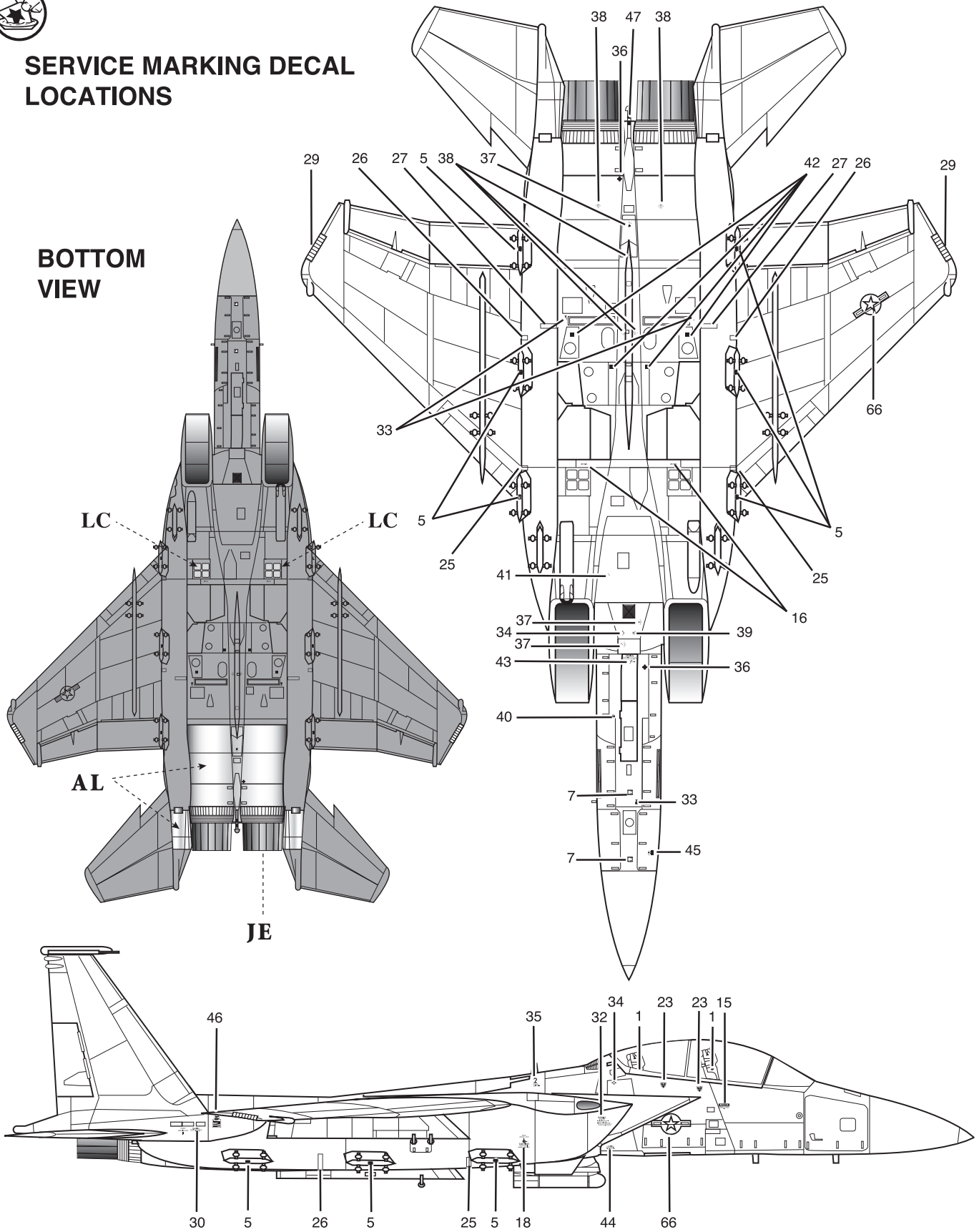
PAINT COLORS
 AIRCRAFT IS FS 36118
 DARK GRAY OVERALL
 EXCEPT WHERE NOTED

GR		DARK GRAY FS 36118
LC		LIGHT COMPASS GRAY FS 36375
JE		JET EXHAUST
WH		GLOSSY WHITE
BK		BLACK
AL		ALUMINUM



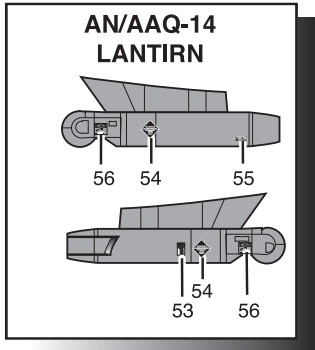
SERVICE MARKING DECAL LOCATIONS

BOTTOM VIEW

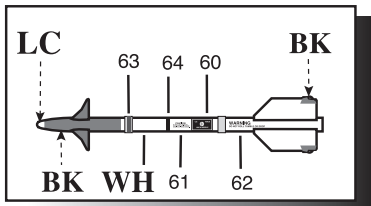




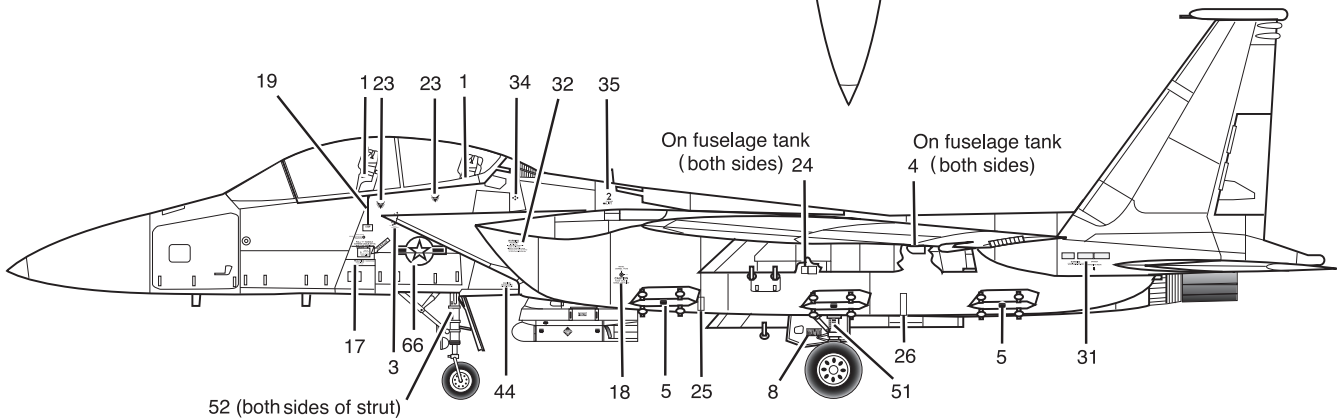
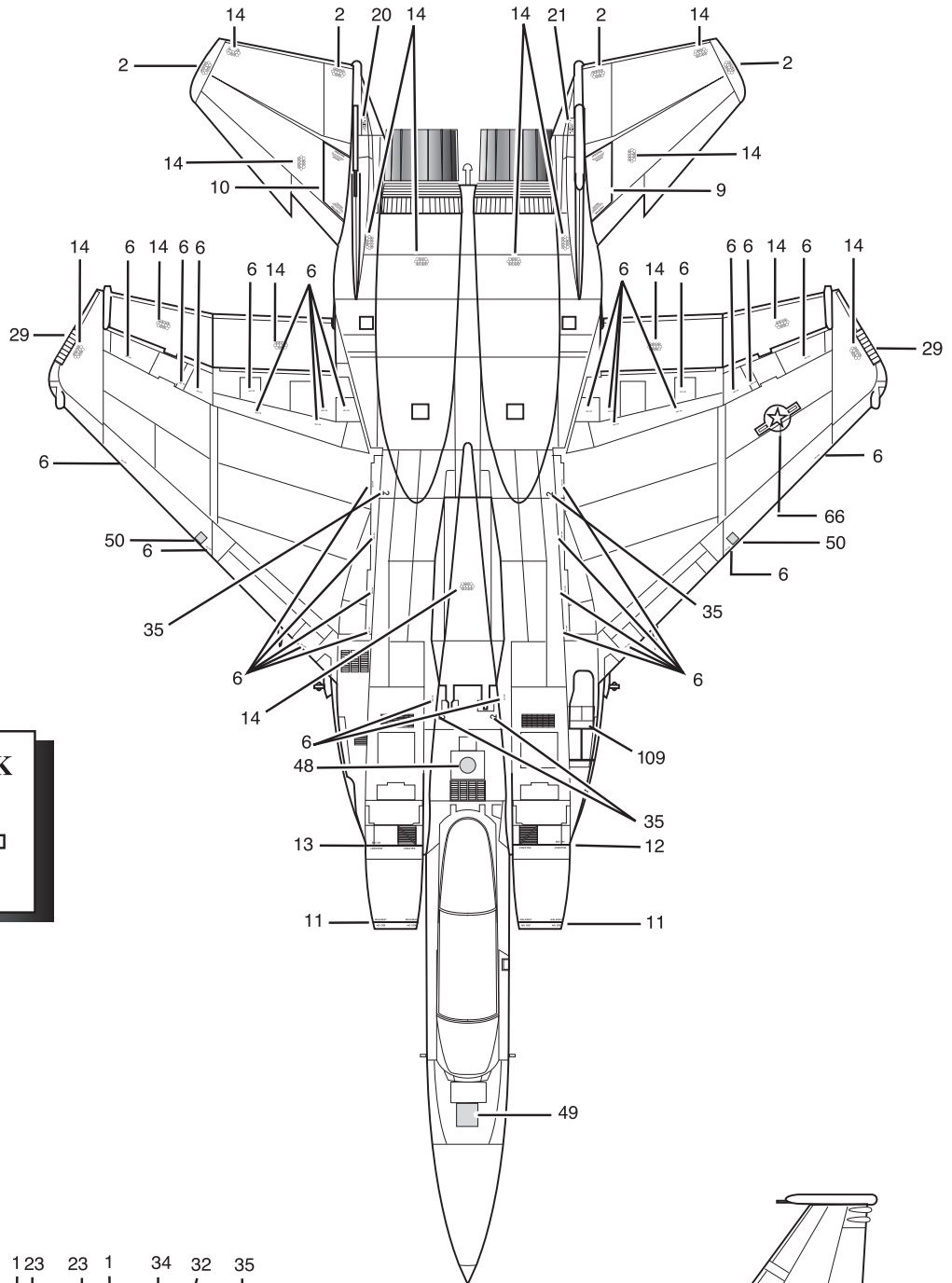
SERVICE MARKING DECAL LOCATIONS



TOP VIEW

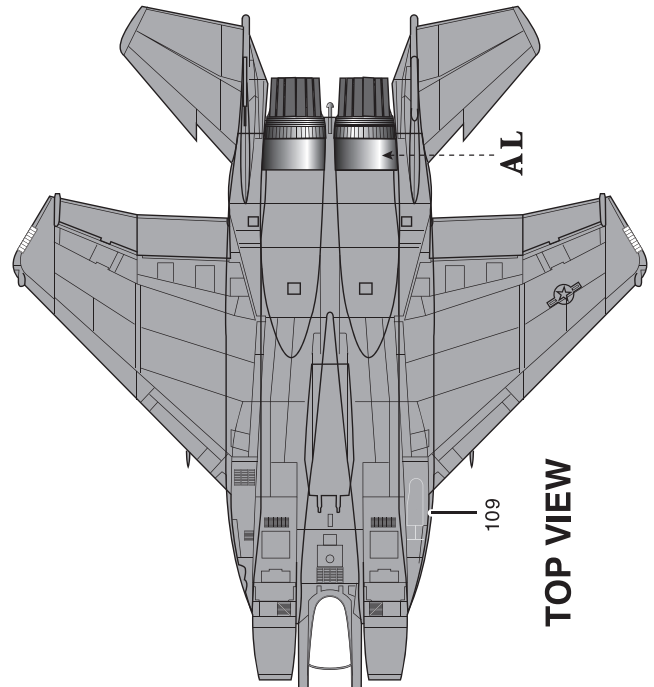
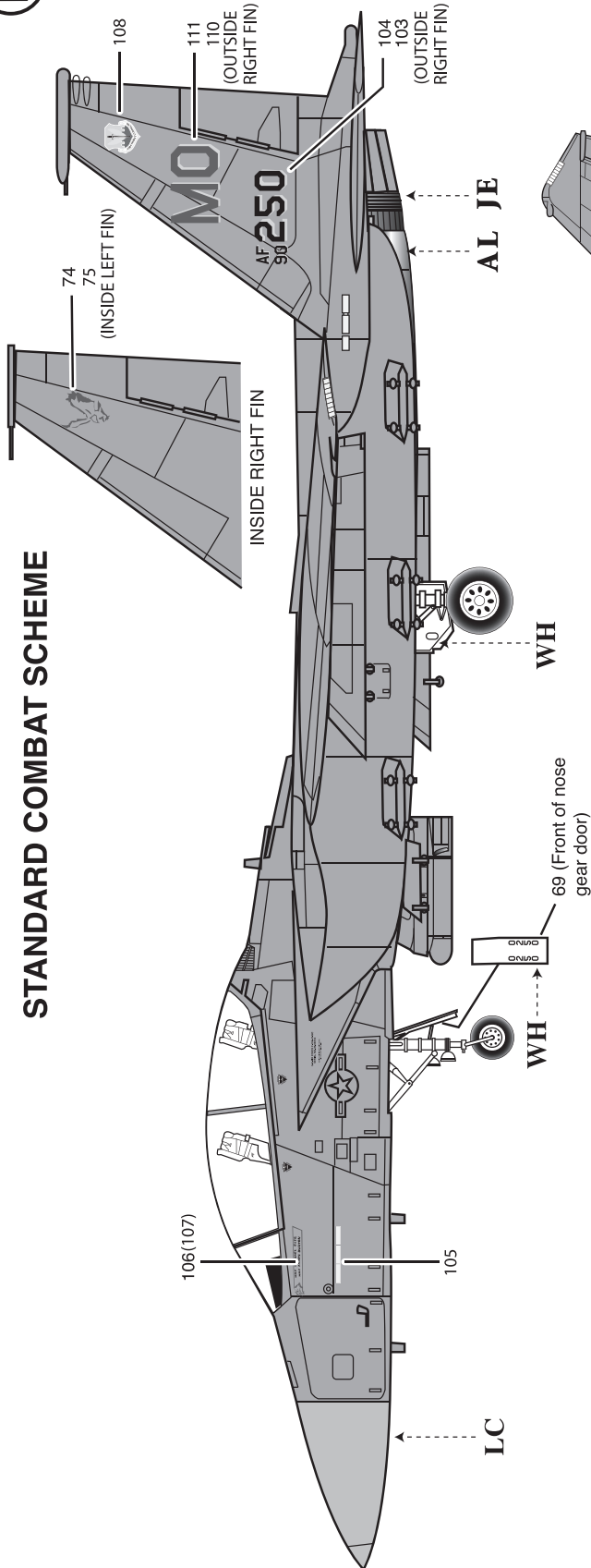


AIM-9L SIDEWINDER

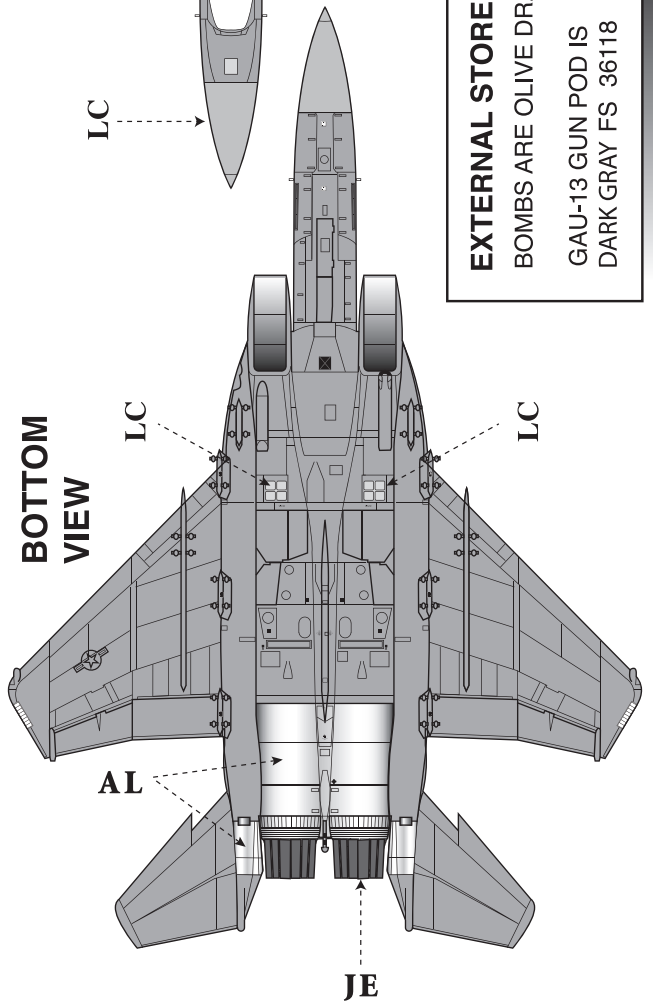




STANDARD COMBAT SCHEME



TOP VIEW



BOTTOM VIEW

EXTERNAL STORES
 BOMBS ARE OLIVE DRAB
 GAU-13 GUN POD IS
 DARK GRAY FS 36118